

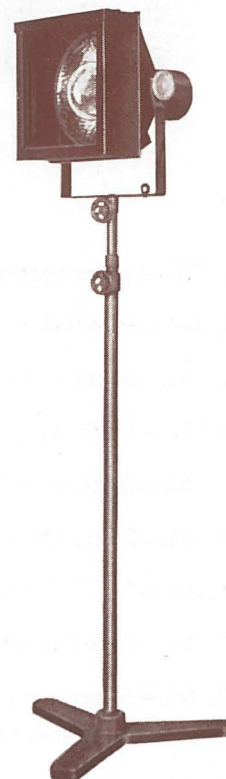
# STRAND STAGE FLOODS

## PATTERN 60 WIDE-ANGLE WING FLOOD 500 WATT

This lantern is particularly suitable for use as a wing flood or for any close range work such as illuminating small back cloths and cycloramas. The beam is free from "hot spot".

### SPECIFICATION

The housing is strongly constructed in sheet steel efficiently ventilated, fitted with runners with a light-tight hinged flap at top to take two metal colour frames, and a one-piece type B.275 anodised aluminium reflector. The tilting fork has a  $\frac{1}{2}$ -inch Whitworth stem (for suspension by barrel clamp or insertion in stand) and eyelet for safety chain (not included). The lantern is locked in position by two hand wheels, and is wired with 3 ft. H.R. flexible tails. Finish: black crystalline enamel outside, matt black inside. Complete with one metal colour frame.



#### Lamp.

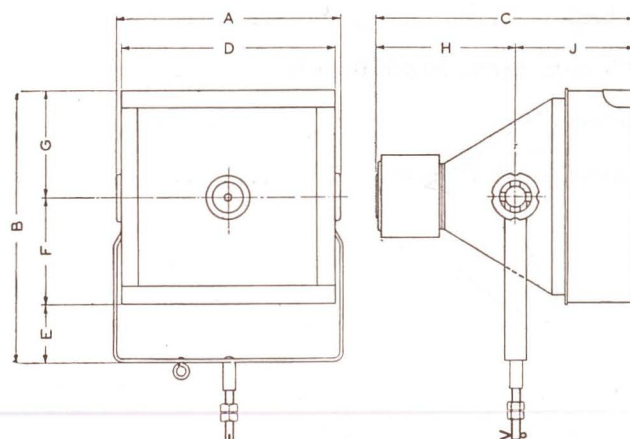
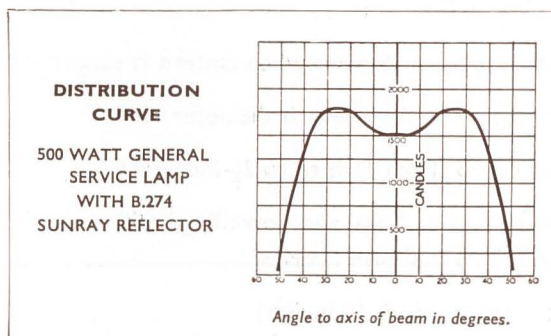
500-watt. General service type with G.E.S. cap.

#### Beam Angle.

Cut off angle 105°, Beam Angle 100°.

#### Weight.

Nett weight 14 lbs.



### DIMENSIONS

	Ft.	In.		Ft.	In.		Ft.	In.			
A	...	1	2 $\frac{1}{2}$	D	...	1	0 $\frac{1}{2}$	G	...	0	6 $\frac{1}{4}$
B	...	1	4	E	...	0	3 $\frac{1}{2}$	H	...	0	8 $\frac{1}{2}$
C	...	1	2 $\frac{3}{4}$	F	...	0	6 $\frac{1}{4}$	J	...	0	6 $\frac{1}{4}$

(continued overleaf)

HEAD OFFICE AND SHOWROOMS  
29, KING STREET, LONDON, W.C.2  
SALES AND GOODS - 24, FLORAL ST., W.C.2  
TEMPLE BAR 444 GRAMS: SPOTLITE RAND LONDON



BRANCHES  
313, OLDHAM ROAD, MANCHESTER 10  
COLLYHURST 2736  
62, DAWSON ST., DUBLIN - DUB 74030