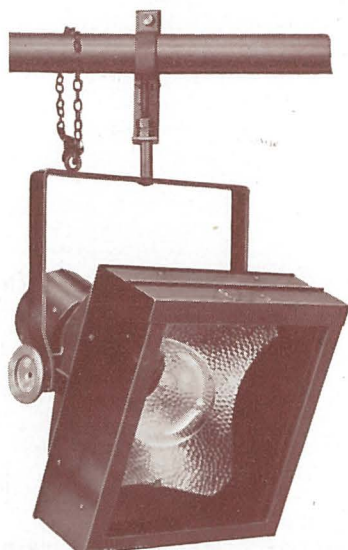


STRAND STAGE FLOODS

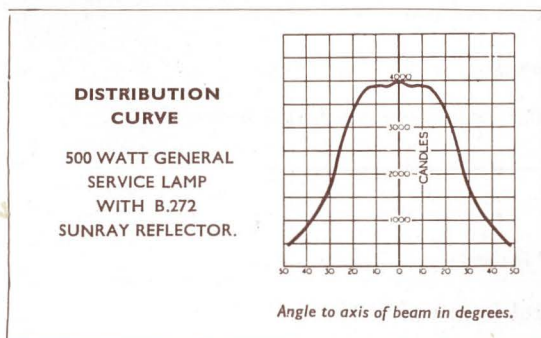
PATTERN 30 MEDIUM-ANGLE BATTEN FLOOD 500 WATT



This lantern is suitable for use as a Batten Flood or for any purpose which necessitates the illuminating of objects situated some distance from it.

SPECIFICATION

The housing is strongly constructed in sheet steel, efficiently ventilated, fitted with runners to take two metal colour frames with a light, tight hinged flap at top and a one-piece B.272 silvered glass "Sunray" reflector. The tilting fork has a 1/2-inch Whitworth stem (for suspension by barrel clamp or insertion in stand) and eyelet for safety chain (not included). The lantern is locked in position by two hand wheels, and is wired with 3 ft. H.R. flexible tails. Finish: black crystalline enamel outside, matt black inside. Complete with one metal colour frame.



Lamp.

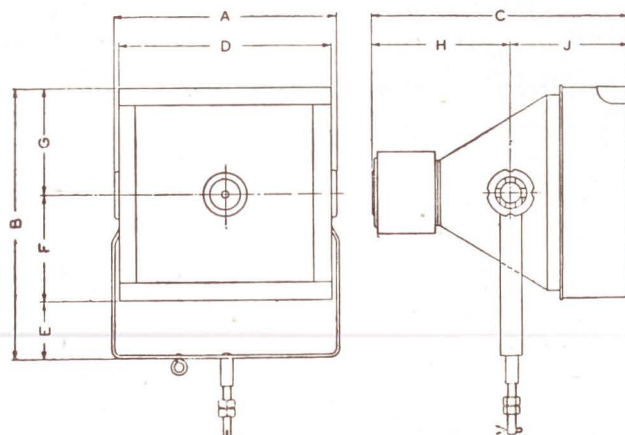
500-watt. General Service Type with G.E.S. Cap.

Beam Angles.

Cut-off 90°, Beam Angle 56°.

Weight

Nett weight 14 lbs.



DIMENSIONS

	Ft.	In.		Ft.	In.
A	...	1	F	...	0
B	...	1	G	...	0
C	...	1	H	...	0
D	...	1	J	...	0
E	...	0			

(continued overleaf)

HEAD OFFICE AND SHOWROOMS
29, KING STREET, LONDON, W.C.2
SALES AND GOODS - 24, FLORAL ST., W.C.2
TEMPLE BAR 4444 GRAMS: SPOTLITE RAND LONDON



BRANCHES
313, OLDHAM ROAD, MANCHESTER 10
COLLYHURST 2736
62, DAWSON ST., DUBLIN - DUB 74030