

*Cancelled (Details of new provisions, later)*

# STRAND CYCLORAMA LIGHTING

## CYCLORAMA BATTEN 500 Watt

The Pattern 55 Lantern can be incorporated, with a slight loss of efficiency, into a batten of 12 in. square compartments. The loss is more than counterbalanced by its convenience on a crowded stage, as the size is brought down to an absolute minimum. This batten was used at the Regal Cinema, Edmonton, with outstanding success.

### SPECIFICATION

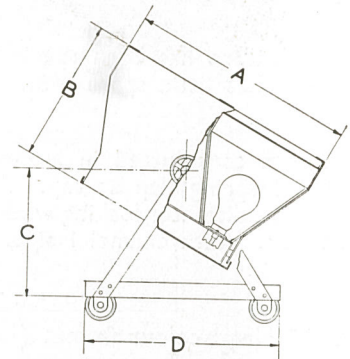
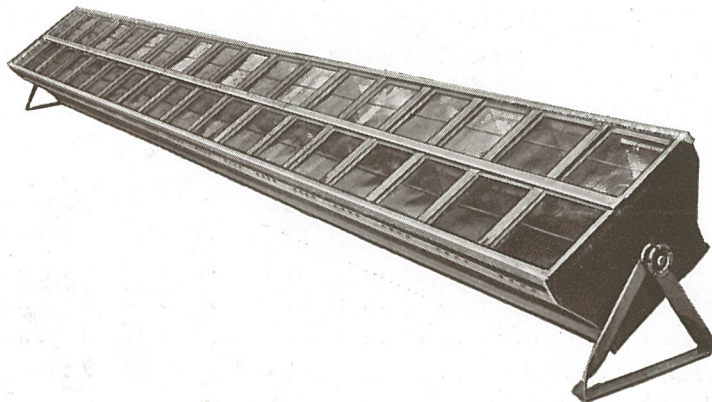
Constructed in sheet steel, efficiently ventilated. Compartments at 12 in. centres. Each fitted with G.E.S. holder and Type 35 "SUNRAY" silvered glass reflector in sprung mounting. Metal colour frames 11 $\frac{3}{4}$  in. square with guard wires. Wired in coloured rockbestos in four colours. Batten arranged in 4 ft. lengths. Complete with shackles, pear rings, and horseshoes for adjusting tilt. Finish : black enamel outside, white enamel inside.

### PRICE (on application)

E 62	Gelatine colours, cut to size	...	...	...	...	...	...	...	£	s.	d.	
E 63	"Chromoid" colours, cut to size	...	...	...	...	...	...	...	0	6	9	
										per doz.		
										1	7	0
												..

Lamps : 500 watt Gasfilled General Service. G.E.S. Cap.

## CYCLORAMA GROUNDROWS, TYPE P, 60 or 100 Watt



CYCLORAMA GROUNDROW.

		Ft.	Ins.
A	...	1	3
B	...	0	9
C	...	0	9
D	...	1	0

These are designed for illumination of the cyclorama from below as an auxiliary effect to the top lighting. The groundrows give a highly diffused light, entirely free from "hot spot." They are made in two rows as illustrated, in order that double the number of compartments may be allocated to the blue.

### SPECIFICATION

Constructed in sheet steel, painted white inside, black enamel outside. Compartments at 7 in. centres. Fitted with metal colour frame and guards, complete with gelatine colours. Supplied in 6 ft. sections, carried on end supports giving variable tilt. Three-piece "SUNRAY" silvered glass reflector, giving wide angle beam of light. China E.S. holders, wired in rockbestos cable. Groundrows can be made up as trucks and fitted with castors (see diagram above).

### PRICE (on application)

E 130	Gelatine colours, cut to size	...	...	...	...	...	...	...	£	s.	d.	
E 131	"Chromoid" colours, cut to size...	...	...	...	...	...	...	...	0	2	3	
										per doz.		
										0	7	9
												..

Lamps : 60 or 100 watt Theatre Batten. E.S. Cap.

Nett weight per 6 ft. length, 105 lbs.

Telephone :  
Temple Bar 7464 (6 lines).

**STRAND ELECTRIC  
AND ENGINEERING CO., LTD.**  
**FLORAL STREET, COVENT GARDEN, W.C.2**

Telegraphic Address :  
Spotlite, Rand, London.