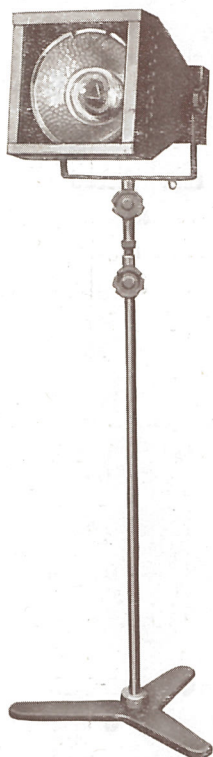


STRAND STAGE FLOODS

PATTERN 60 WING FLOOD, 500 Watt



This lantern gives a *wide angle* beam of light, free from "hot spot." Suitable for illuminating backings, and small back-cloths at close range.

SPECIFICATION

Lantern constructed in lead-coated steel, efficiently ventilated. Runners to take two millboard colour frames, hinged flap at top. One-piece Type No. 35 silvered glass "SUNRAY" reflector. Tilting fork and 3 in. diameter locking wheels. 10 amp. plug, with earth connection and clip. Finish : black enamel outside, matt black inside.

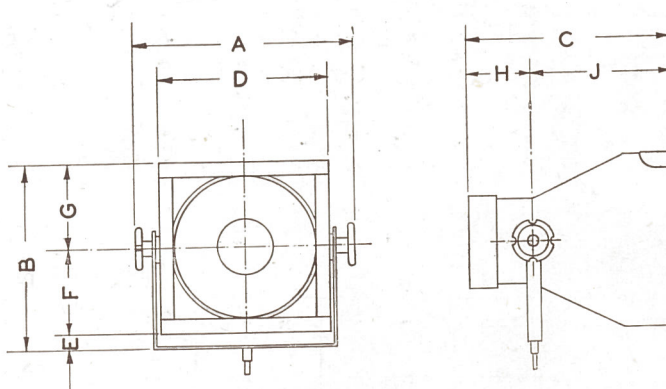
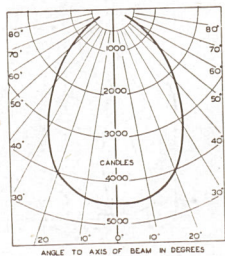
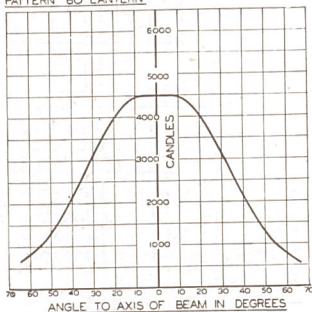
PRICE (exclusive of Lamp) ... **£3 15 0**

					£	s.	d.	
B 60	Light Telescopic Stand	1	5	0	each
	(Min. height 4 ft. 3 in. Max. 7 ft. 0 in.)							
B 61	Linen-bound millboard colour frames	(11 $\frac{3}{4}$ in. x 11 $\frac{3}{4}$ in.)	0	10	0			per doz.
B 62	Ditto, with assorted gelatines	...	0	16	6			"
B 63	Ditto, with assorted "Chromoid" colours	...	1	14	0			"
B 64	Safety chain with snap hook (for use when lantern is suspended)	...	0	2	3			each
B 65	"L" clamp for 1 $\frac{1}{2}$ in. barrel	...	0	2	9			"

Lamp : 500 watt Angle Burning General Service. G.E.S. Cap (see page 105)
 Beam Angle 100°. Cut Off Angle 105°.

PATTERN 32 BABY FLOOD (see page 96)

"SUNRAY" ARENA REFLECTOR
 WITH 500W ANGLE BURNING GENERAL PURPOSE
 LAMP
 PATTERN 60 LANTERN



DIMENSIONS. PATTERN 60

	Ft.	In.		Ft.	In.
A ...	1	4	F ...	6	$\frac{1}{2}$
B ...	1	1	G ...	6	$\frac{1}{2}$
C ...	1	3	H ...	10	$\frac{1}{2}$
D ...	1	0 $\frac{1}{2}$	J ...	4	$\frac{1}{2}$

Nett weight of Lantern, 15 lbs.

Telephone :
 Temple Bar 7464 (6 lines).

STRAND ELECTRIC AND ENGINEERING CO., LTD.
FLORAL STREET, COVENT GARDEN, W.C.2.

Telegraphic Address :
 Spotlite, Rand, London.