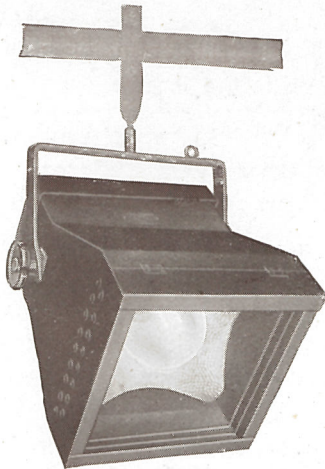


STRAND STAGE FLOODS



PATTERN 30 BATTEN FLOOD 500 Watt

This lantern gives a *medium angle* beam of light, suitable for illuminating objects situated some distance from it.

SPECIFICATION

Lantern constructed in lead-coated steel, efficiently ventilated. Fitted with runners to take two millboard colour frames, hinged flap at top. One-piece Type 30 silvered glass "SUNRAY" reflector. Tilting fork and 3 in. diameter locking wheels. 10 amp. plug with earth connection and clip. Finish, black enamel outside, matt black inside.

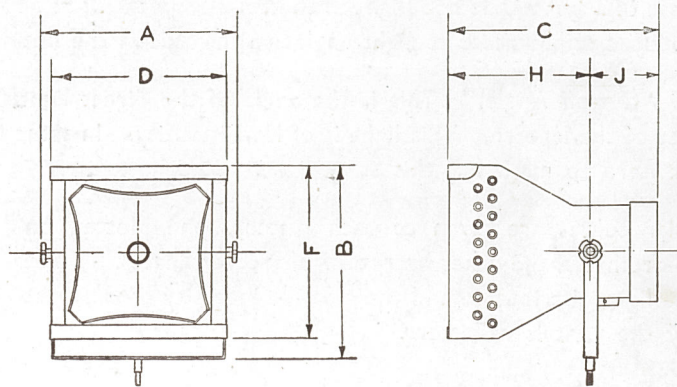
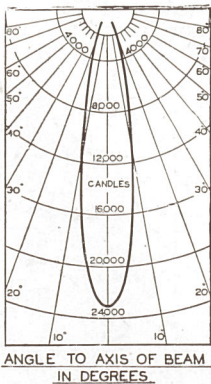
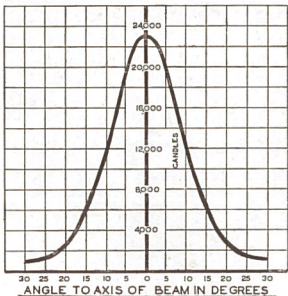
PRICE (exclusive of Lamp) ... **£3 15 0**

£ s. d.

- B 60 Light Telescopic Stand (Min. height 4 ft. 3 in. Max. 7 ft.) **1 5 0** each
- B 61 Linen-bound millboard colour frames (11 $\frac{3}{4}$ in. x 11 $\frac{3}{4}$ in.) **0 10 0** per doz.
- B 62 Ditto, with assorted gelines **0 16 6** ..
- B 63 Ditto, with assorted "Chromoid" colours (see page 98) **1 14 0** ..
- B 64 Safety chain with snap hook (for use when lantern is suspended) **0 2 3** each
- B 65 "L" clamp for 1 $\frac{1}{2}$ in. barrel **0 2 9** ..

Lamp : 500 watt Angle Burning General Service. G.E.S. Cap (see page 105).
Beam Angle 56°. Cut Off Angle 105°.

SUNRAY 10X10 REFLECTOR
WITH 500W ANGLE BURNING GENERAL
PURPOSE LAMP FOR PATT 30 FLOOD LANTERN



DIMENSIONS. PATTERN 30

	Ft.	In.	Ft.	In.
A ...	1	4	F, ...	1 0 $\frac{1}{2}$
B ...	1	1	H ...	10 $\frac{1}{2}$
C ...	1	3	J ...	4 $\frac{1}{2}$
D ...	1	0 $\frac{1}{2}$		

Nett weight of Lantern, 15 lbs.

Telephone :
Temple Bar 7464 (6 lines).

STRAND ELECTRIC
AND ENGINEERING CO., LTD.
FLORAL STREET, COVENT GARDEN, W.C.2

Telegraphic Address :
Spotlite, Rand, London.