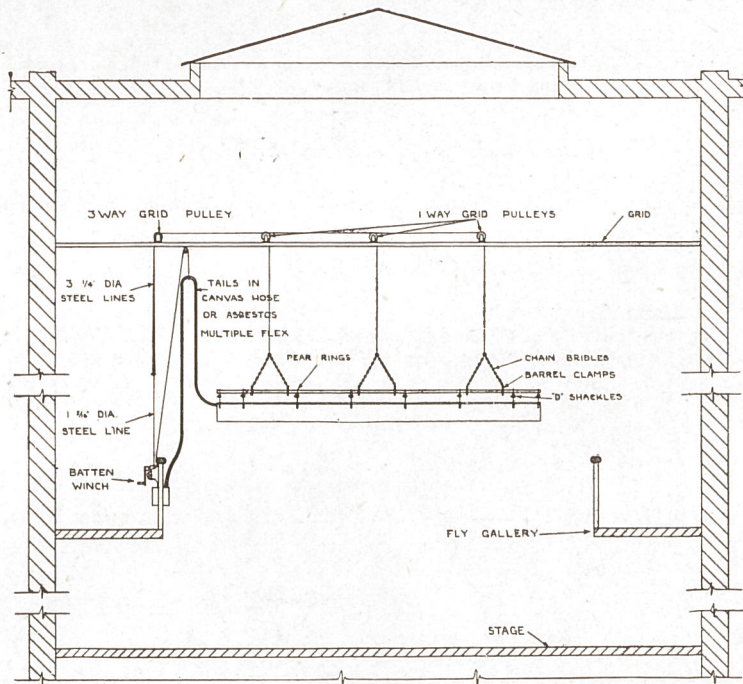
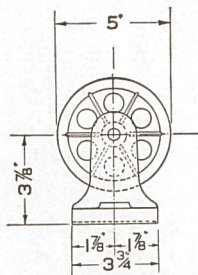
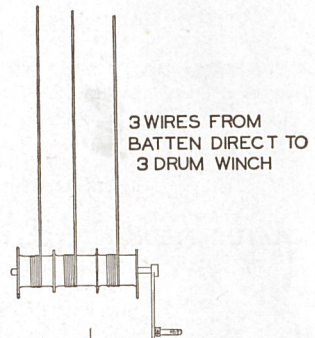
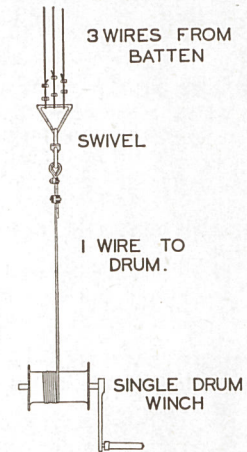


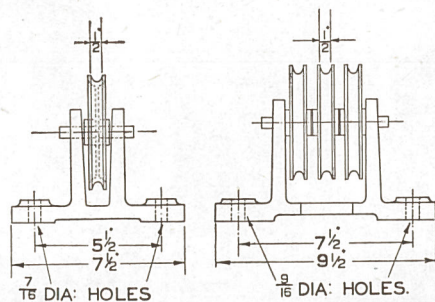
STRAND BATTEN SUSPENSION



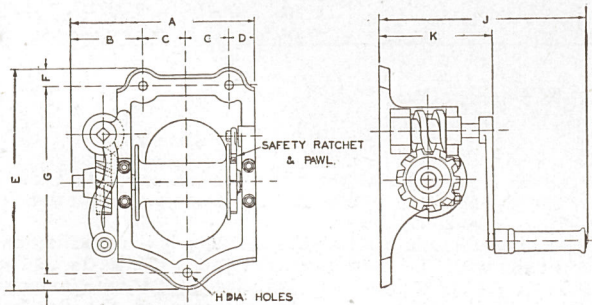
Method of Suspending Battens



A 27. Grid Pulley.

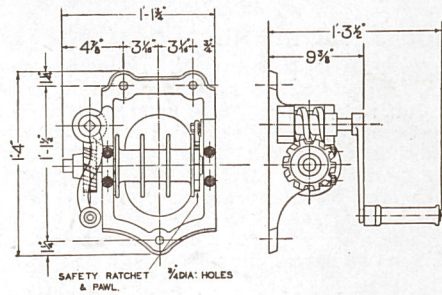


A 28. Grid Pulley.



Single Drum Winch

A 29. 5 cwt.	{ A-1' 1 1/4"	B-5 3/8"	C-3 3/8"	D-1 7/8"	E-1' 4"
	{ F-1 1/4"	G-1' 1 1/2"	H-5/8"	J-1' 2 7/8"	K-8 3/8"
A 39. 10 cwt.	{ A-1' 5"	B-6"	C-4 1/2"	D-2 1/2"	E-1' 11 3/8"
	{ F-1 3/8"	G-1' 9"	H-1"	J-1' 11 1/2"	K-1' 1"



A 30. 3-drum Winch

Telephone :
Temple Bar 7464 (6 lines).

**STRAND ELECTRIC
AND ENGINEERING CO., LTD.**
FLORAL STREET, COVENT GARDEN, W.C.2

Telegraphic Address :
Spotlite, R 2717, London.