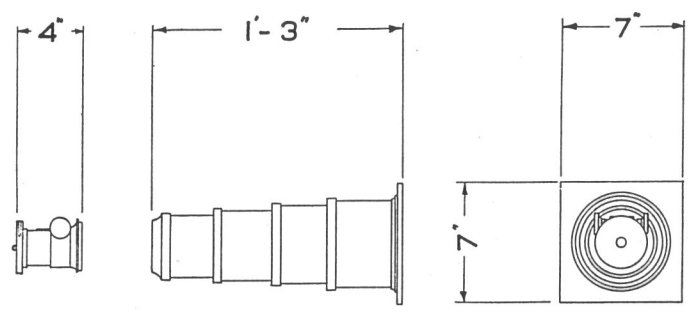


STRAND EFFECTS LIGHTING

LONG FOCUS OBJECTIVE LENSES



3-draw front, as drawing. Weight 7½ lbs.

PRICE ... ~~£3-10-0~~ each 5-5-0

Brass Rack and Pinion Jackets to take 2 in. diam. lenses.

PRICE ... ~~£1-7-0~~ each 2-0-0

Tube lens units complete with 2 in. diam. British made lenses of any focal length set out in table below.

PRICE ... ~~£1-0-0~~ each 1-7-6

TABLE GIVING FOCUS OF LENS FOR VARIOUS LENGTHS OF THROW

Distance between Lantern and Screen.	Diameter of Disc.																Distance between Lantern and Screen.
	4 in.	5 in.	6 in.	7 in.	8 in.	9 in.	10 in.	11 in.	12 in.	13 in.	14 in.	15 in.					
Ft.	Ft. In.	Ft. In.	Ft. In.	Ft. In.	Ft. In.	Ft. In.	Ft. In.	Ft. In.	Ft. In.	Ft. In.	Ft. In.	Ft. In.	Ft. In.	Ft. In.	Ft. In.	Ft. In.	Ft.
10	7 6	6 0	5 0	4 3	3 9	3 4	3 0	2 9	2 6	2 4	2 2	2 0					10
11	8 3	6 7	5 6	4 9	4 2	3 8	3 4	3 0	2 9	2 6	2 4	2 2					11
12	9 0	7 2	6 0	5 2	4 6	4 0	3 7	3 3	3 0	2 9	2 7	2 5					12
13	9 9	7 10	6 6	5 7	4 11	4 4	3 11	3 7	3 3	3 0	2 9	2 7					13
14	10 6	8 5	7 0	6 0	5 3	4 8	4 2	3 10	3 7	3 3	3 0	2 9					14
15	11 3	9 0	7 6	6 5	5 8	5 0	4 6	4 1	3 9	3 6	3 3	3 0					15
20	15 0	12 0	10 0	8 7	7 6	6 8	6 0	5 6	5 0	4 7	4 3	4 0					20
25	18 9	15 0	12 6	10 9	9 4	8 4	7 6	6 10	6 3	5 9	5 4	5 0					25
30	22 6	18 0	15 0	12 10	11 3	10 0	9 0	8 2	7 6	6 11	6 5	6 0					30
35	26 3	21 0	17 6	15 0	13 1	11 8	10 6	9 6	8 9	8 1	7 6	7 0					35
40	30 0	24 0	20 0	17 2	15 0	13 4	12 0	10 10	10 0	9 2	8 6	8 0					40
45	33 9	27 0	22 6	19 3	16 10	15 0	13 6	12 3	11 3	10 4	9 8	9 0					45
50	37 6	30 0	25 0	21 5	18 9	16 8	15 0	13 8	12 6	11 6	10 9	10 0					50

STRAND ELECTRIC
AND ENGINEERING CO., LTD.
FLORAL STREET, COVENT GARDEN, W.C.2

Telephone : Temple Bar 7464 (6 lines). Telegraphic Address : Spotlite, Rand, London.