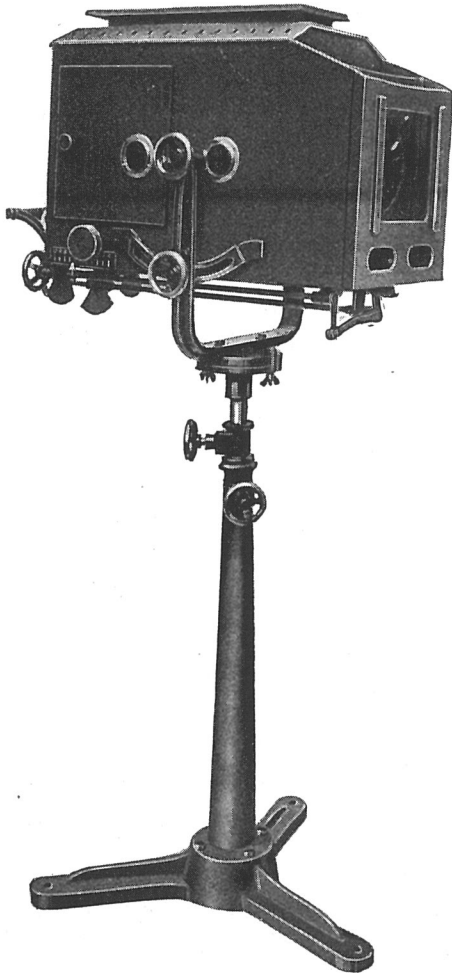


# STRAND ARC SPOTLIGHTS

## PATTERN 75 FRONT OF HOUSE SPOTTING ARC, 80 Amp.



This lantern has been designed for front of house spotting over the long throws that are common in the modern cinema.

### SPECIFICATION

Lamphouse constructed of cold rolled and close annealed sheet steel on a cast aluminium base and back. The housing consists of an inner and outer frame, with air space between, giving efficient ventilation.

Vertical and horizontal barn door shutters and iris diaphragm operated by handwheels at the rear. Double runners for colour mediums and a cast front to take effects attachments are provided.

6 in. diameter 9 in. focus plano-convex *heat-resisting lens* in removable mount. Asbestos curtain at rear. Tilting fork and quadrant. Heavy pattern telescopic stand and cast base. Finish: crystalline black enamel outside, matt black inside, nickel-plated wheels and fittings.

ARC LAMP.—Six movement hand feed type, carrying up to 80 amperes, rack and pinion focussing, with indicator scale.

Connector box is fitted in lamphouse.

PRICE (complete with Stand) ... ~~£32-0-0~~ <sup>36-15-0</sup>

£ s. d.

D 122	Assorted gelatine mediums, cut to size	...	...	...	...	6 0 per doz.
D 123	Assorted "Chromoid" colours, cut to size	...	...	...	...	<del>1-16-0</del> ,, 1-5-0
D 124	Effect attachment with 6 in. condenser	...	...	...	...	2-7-6 each 2-14-0
D 125	Metal colour frames	...	...	...	...	0-2-6 ,, 3-0
D 126	Colour wheel with gelatine mediums	...	...	...	...	<del>1-10-0</del> ,, 1-14-6
D 127	Rainbow wheel with gelatine mediums	...	...	...	...	<del>2-2-0</del> ,, 2-8-6
D 128	Flicker wheel	...	...	...	...	1-5-0 ,, 1-4-0

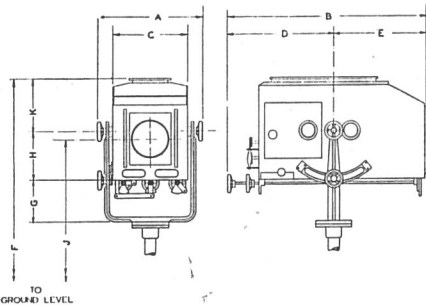
Suitable Resistances, see page 45.

Optical Effect Accessories, see page 58.

Effective throw 150 ft. Angle of tilt below horizontal 35°.

D.C. CARBONS (prices see page 106).

80 Amp. 22 m/m Positive (Cored)	} Arc Volts
11 m/m Negative (Cored and Copper-coated)	



PATTERN 75

A	...	1	6	F	...	4	10	Min.
B	...	2	6	G	...		8	
C	...	1	0	H	...		7	
D	...	1	5	J	...	4	9	Max.
E	...	1	1	J	...	3	11	Min.
F	...	5	8	Max.	K	...	10	

Nett weight of Lantern, 100 lbs.  
Nett weight of Stand, 56 lbs.

Telephone :  
Temple Bar 7464 (6 lines).

**STRAND ELECTRIC**  
**AND ENGINEERING CO., LTD.**  
**FLORAL STREET, COVENT GARDEN, W.C.2**

Telegraphic Address :  
Spotlite, Rand, London.