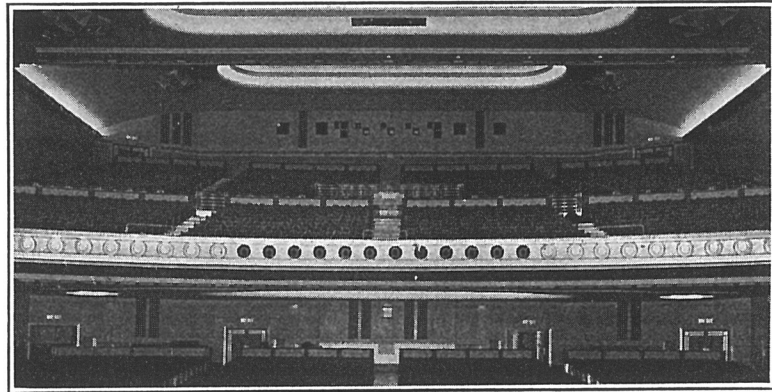
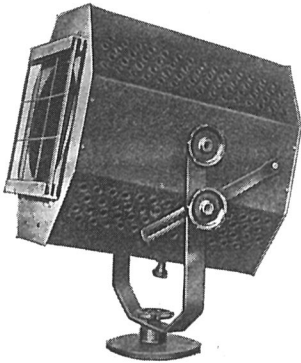


STRAND FOCUS LANTERNS

PATTERN 52 A FOCUS FLOOD 2000 Watt



Regal Cinema, Edmonton

This lantern is suitable for use in housings on the balcony fronts for general illumination of the fore-stage or tabs. The use of an 8 in. diameter lens gives maximum efficiency, while the dimensions are kept down to a minimum to render concealment as easy as possible.

SPECIFICATION

Lantern constructed with cast aluminium front and back, sheet steel sides. Efficient ventilation. Access to lamp by hinged door at rear. 8 in. diameter, 13 in. focus plano-convex lens. Type 52 tray giving vertical and axial adjustment for lamp filament, complete with 6 in. diameter spherical chromium-plated reflector. Focussing by knob under lantern. Cast runners fitted with retaining springs to take two metal colour frames. Rockbestos tails. Tilting fork and quadrant with 3 in. diameter locking wheels. Heavy cast base mounting. Finish: black crystalline enamel outside, matt black inside.

	PRICE (exclusive of Lamp) ...	£10-10-0 12-15-0	£ s. d.	
C 91	Metal colour frames, 10 in. x 10 in. ...		0-9-0	per doz. 10-0
C 92	Ditto, with assorted gelatine colours ...		0-15-0	" 16-6
C 93	Ditto, with assorted "Chromoid" colours ...		1-7-0	" 1-9-6

The tray may be fitted with Mogul Pre-focus Holder at 10/- extra (see page 28). **NETT**

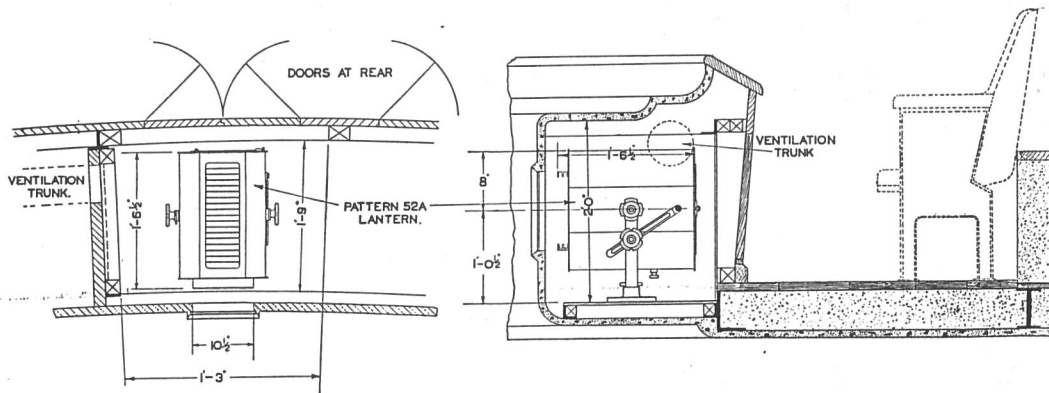
Nett weight, 42 lbs.

Lamp: 2000 watt Cinema Studio or 1500 watt Class A.I Tubular Projector. G.E.S. Cap. ~~4-5-0~~

Beam Angle: Maximum 54°. Minimum 25°.

Effective throw, 70 ft.

IMPORTANT NOTE.—When a number of these lanterns are used in a housing, particular attention should be paid to the ventilation.



Telephone: Temple Bar 7464 (6 lines).

STRAND ELECTRIC AND ENGINEERING CO., LTD.
FLORAL STREET, COVENT GARDEN, W.C.2

Telegraphic Address: Spotlite, Rand, London.