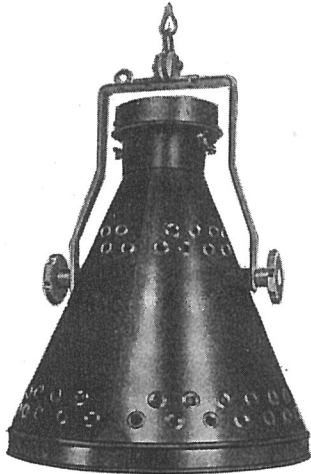


STRAND STAGE FLOODS

PATTERN 35 ARENA FLOOD 1000 Watt

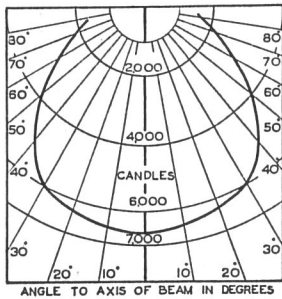
This lantern gives a *wide angle* vertical beam, free from "hot spot," suitable for illuminating large areas, such as dance floors and circus arenas.



SPECIFICATION

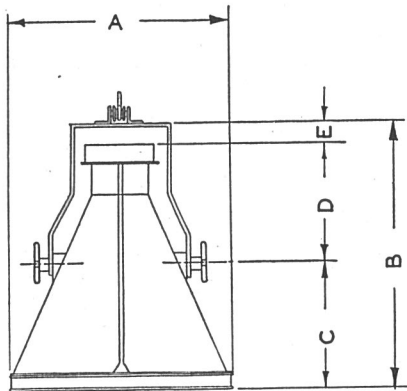
Lantern constructed in lead-coated steel, efficiently ventilated. Underside fitted with hinged door carrying circular metal colour frame. One-piece Type 35 domed "SUNRAY" silvered glass reflector. Tilting fork and 3 in. diameter locking wheels. Wired with 2 ft. rockbestos tails. Finish : black enamel outside, white enamel inside.

PRICE (exclusive of Lamp) ... ~~£5-0-0~~ ⁵⁻¹⁷⁻⁶



Arena Reflector with 1000 watt lamp

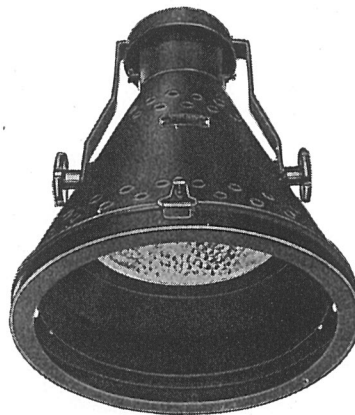
- | | | | | |
|---|---|-----|--------|---------------------------|
| | £ | s. | d. | |
| B 70 | Extra 16 in. diameter metal colour frames | ... | ... | ... |
| | | | | 0-3-6 each ⁴⁻⁰ |
| B 71 | Gelatine colours, cut to size | ... | 0 12 0 | per doz. |
| B 72 | Chromoid colours, cut to size | ... | 1-14-0 | „ ¹⁻¹³⁻⁰ |
| B 64 | Safety chain, with snap hook | ... | 0-2-0 | each ²⁻³ |
| Lamp: 1000 watt Angle Burning General Service. G.E.S. Cap | | | | ¹⁶⁷ |
| Beam Angle 105°. Cut Off Angle 110°. | | | | |



DIMENSIONS. PATTERN 35

	Ft.	In.		Ft.	In.
A ...	1	4½	D ...	8	½
B ...	1	7½	E ...	1	½
C ...		9½			

Nett weight of Lantern, 17 lbs.



Telephone :
Temple Bar 7464 (6 lines).

STRAND ELECTRIC
AND ENGINEERING CO., LTD.
FLORAL STREET, COVENT GARDEN, W.C.2

Telegraphic Address :
Spotlite, Rand, London.