

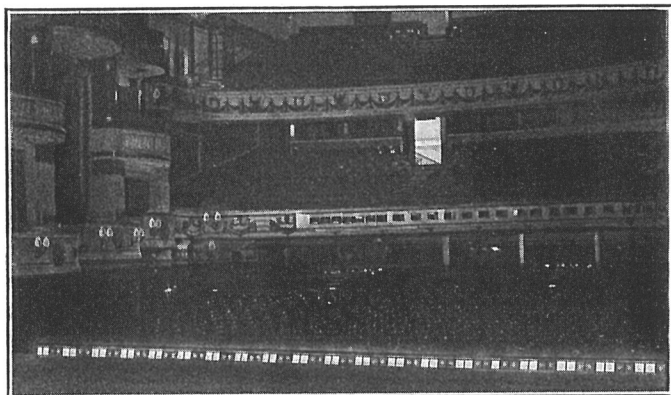
STRAND FOOTLIGHTS and BATTENS

“SUNRAY” DISAPPEARING FOOTLIGHTS

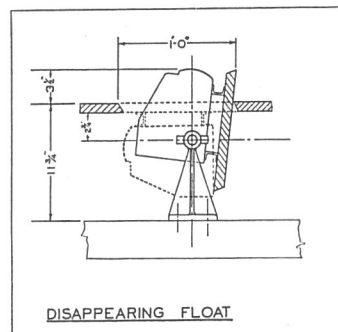
In Repertory Theatres, etc., where the float may not be required for all the scenes in a production, or where an extension “Fore Stage” may be used, it is of great value if the footlight can be made to disappear.

Strand Electric have designed two types of apparatus for use in these situations. In both cases the float discreetly vanishes, leaving the flat stage. The revolving type is more usual where the apparatus is hand operated; such a footlight (the first installed in England) may be seen at the Arts Theatre Club, London; while the lift type is motor driven, as at Drury Lane Theatre. It is also used at the Regal Cinema, Edmonton, in conjunction with the orchestra lifts, so that the orchestra can be converted into a “Fore Stage,” thus giving a stage 55 ft. deep.

Our Theatre Lighting Department is prepared to advise and quote on receipt of plans or other details.



Strand Footlight, Drury Lane Theatre, London



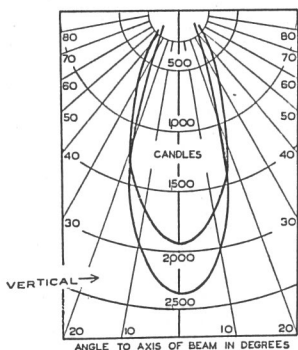
Revolving A 1 Footlight

“SUNRAY” MAGAZINE FOOTLIGHT A 1 TYPE 60, 100 or 150 Watt

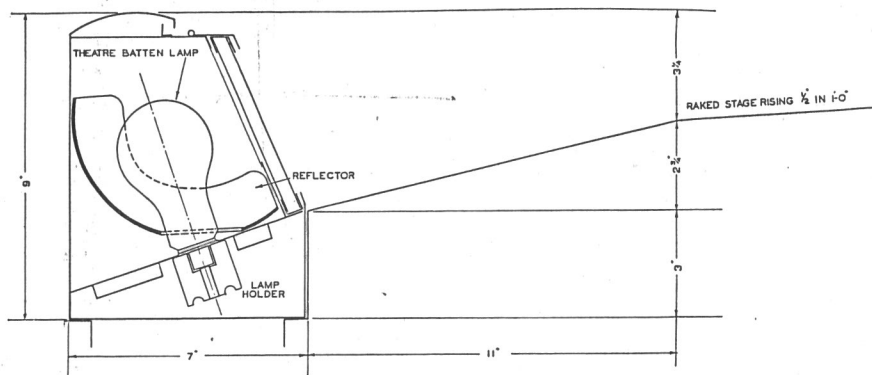
This is a very efficient and compact design, which is eminently suitable for use as a revolving or vertical disappearing float. General construction is as shown below. Specification as for “B” type. Compartments at 6 in. centres, and fitted with Type A 1 “SUNRAY” silvered glass reflector, giving wide angle spread of light.

PRICE ON APPLICATION

- A 14 Gelatine Colours, cut to size 1s. 9d. per doz.
- A 15 Chromoid Colours, cut to size (see page 98) ~~5s. 0d.~~ 5/6
- Lamps : 60, 100 or 150 watt Theatre Batten Gasfilled E.S. Caps (see page 105).



Polar Curve A 1 Float Reflector with 150 watt lamp



Section of A 1 Type Footlight in position

A 16 FOOTLIGHT CONNECTION BOX (FITTED TO END OF FOOTLIGHT)

Sheet-steel Footlight Connection Boxes, with D.P. Connectors, for up to 12-ways, mounted on “Sindanyo” Panel, complete with earth connection £1-0-0 each
 When ordering, please state which end of footlight Box is to be fitted, i.e., actor’s Left or Right.

Telephone :
 Temple Bar 7464 (6 lines).

STRAND ELECTRIC
AND ENGINEERING CO., LTD.

Telegraphic Address :
 Spotlite, Rand, London.

FLORAL STREET, COVENT GARDEN, W.C.2