

LYCIAN
STAGE LIGHTING

DO YOU SEE SPOTS?...

THE STANDARD LINE



the LYCIAN **CLUBSPOT**
MODEL 1236

THE ONLY COMPLETE, ECONOMICALLY PRICED FOLLOW SPOT AVAILABLE ANYWHERE. USES 360 W. FLE HALOGEN LAMP. INCLUDES 6 COLOR INTERNAL BOOMERANG, DOWSER, AND VARIABLE FOCAL LENGTH LENS SYSTEM.

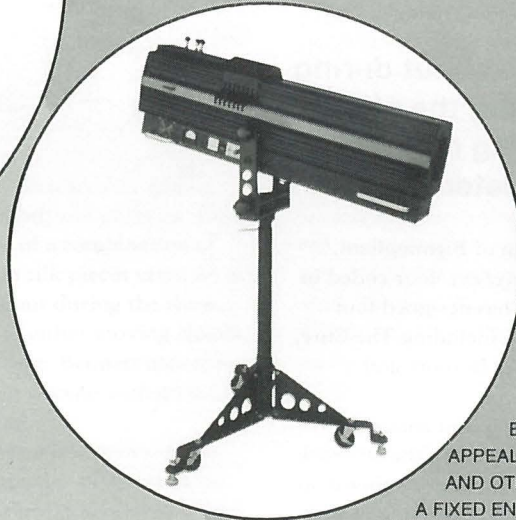


the LYCIAN **midgets**

MODEL 1206 THE ULTIMATE 1000 W. QUARTZ FOLLOWSPOT. SMALLEST, QUIETEST, & LIGHTEST, ELECTRICALLY DIMMABLE UNIT AVAILABLE.

MODEL 1207 THE NEW 2000 W. QUARTZ FOLLOWSPOT —50% BRIGHTER THAN THE STANDARD MIDGET.

MODEL 1209 — H.P. THE 575 HMI, 5600°K. VERSION OF THE MIDGET. ABSOLUTELY THE HIGHEST RATIO OF LIGHT OUT-PUT FOR DOLLAR INPUT. AN ECONOMICAL FRONT-OF-HOUSE FOLLOWSPOT.



the LYCIAN **STARLITE**
MODEL 1211

THE NEW HTI 400 WITH ITS EASE OF OPERATION, FLATNESS OF FIELD, AND ECONOMICAL PRICING WILL APPEAL TO SCHOOLS, CHURCHES, AND OTHER ORGANIZATIONS WITH A FIXED ENTERTAINMENT EQUIPMENT BUDGET.

LYCIAN QUALITY, SERVICE, RESEARCH AND DESIGN ARE...SECOND TO NONE.

LYCIAN STAGE LIGHTING KINGS HWY PO BOX D SUGAR LOAF NY 10981-0214 (914) 469-2285 FAX (914) 469-5355