

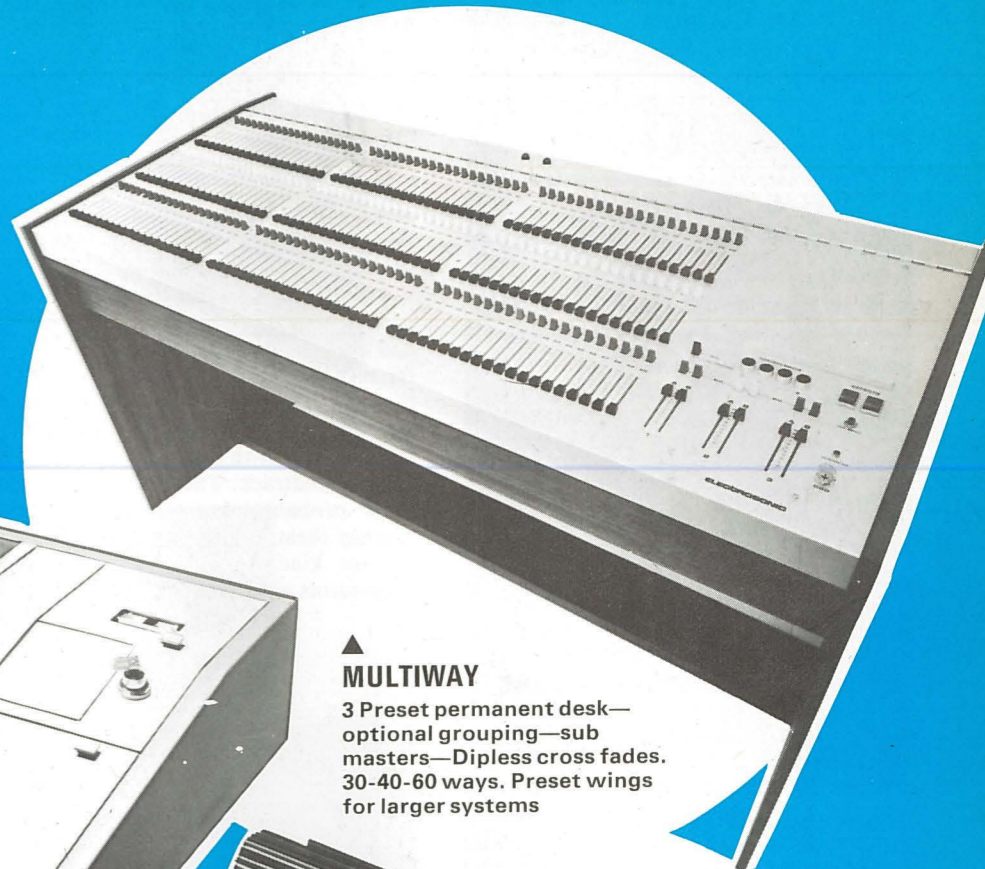
*Throughout the World*

To complement their unique range of lighting equipment CCT offer an exclusive and unparalleled range of **ELECTROSONIC** dimming and control systems designed by this world leader in electronic control to meet the particular needs of the international entertainment market.

**FLATAPAK & LINKIT SYSTEM ▶**  
Portable or permanent Modular dimmer packs and 2 preset desks. 12-18-24-30 ways.

- FLATAPAK RACKS**
- Compact robust
  - Positive stacking
  - Single carrying handle
  - Lightweight aluminium casing

- LINKIT DESKS**
- Elegant in design
  - Logical layout
  - Dipless crossfade
  - Unique linking facilities



**▲ MULTIWAY**  
3 Preset permanent desk—optional grouping—sub masters—Dipless cross fades. 30-40-60 ways. Preset wings for larger systems



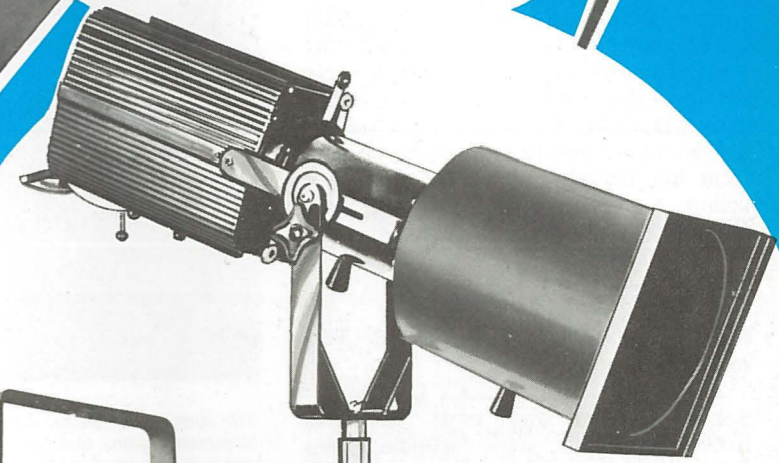
**▲ E.S. 6000 DIMMERS & RACKS**  
The best in Modular Solid State dimming. Standard Racks. 6-12-18 ways.

**▲ ROCKBOARD**  
The ultimate "Hands on" touring control for today's professional needs—Major Rock and Music shows—Cabaret—Sales Presentations—Presets ● Group selection ● Pin Matrix Programming ● Touch Button and Chaser options 36-48-60 ways.



**▲ COMPUTITE**  
A tough and rugged yet versatile Micro-processor Memory Control ● 240 or more dimmer channels ● Unlimited Cue Capacity ● Independent sub mastering ● Manual and Automatic faders ● Floppy disk ● Remote designers Control ● Printout options ...

**▲ COLORSETTE AUTO COLOUR CHANGE**  
Remote selection and control. 4 colours and white ● 6 Colour hand operated changers available.

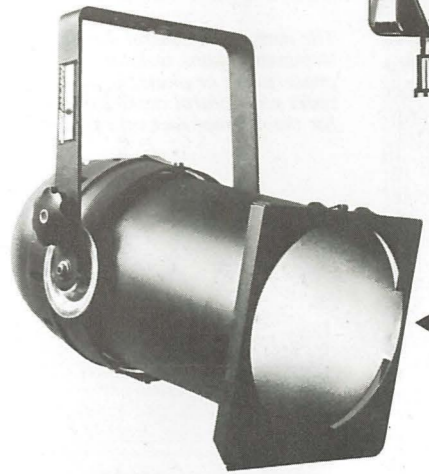


**▲ SILHOUETTE 1000W CSI**  
A variable beam follow spot which accepts the full range of CCT lens tubes.

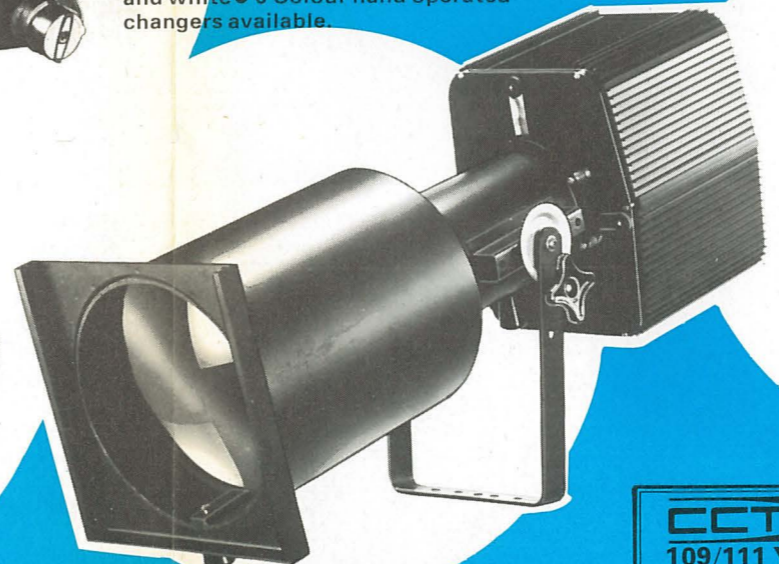


**▲ MINUETTE**  
Compact—Versatile—Lightweight—Low cost 500W range—Fresnel—Pebble Convex—Profile.

**▲ STARLETTE**  
Completely new and original 650/1000W Fresnel and Pebble Convex Spotlights—Advanced Design—Original features



**▲ ROCKETTE**  
Lighting with a Punch. 120/240v PAR 64 lamps. Rapid colour change.



**▲ SILHOUETTE 1000W & 2000W**  
The standard against which all profile spotlights are measured. Inter-changeable lens tubes—Variable lens combinations 10°-15°-25°-30°-40°

**CCT theatre lighting limited**

Head Office  
WINDSOR HOUSE, 26 WILLOW LANE, MITCHAM, SURREY, CR4 4NA. TEL. 01-640 3366 TELEX 946648  
Western Area: 1 Wilson Street, BRISTOL BS2 9HH. Tel 0272 426137  
Scotland : CCT LIGHTSOURCE, 6 Scotland Street Lane, West EDINBURGH EH6 3PT. Tel: 031 556 1019

**CCT theatre lighting (Australasia) Pty Ltd.,**  
109/111 York Street, South Melbourne, Victoria 3205, AUSTRALIA.  
Telephone: 690 1618

**Overseas stockists in:**  
AUSTRIA · DENMARK · HOLLAND · FRANCE · FINLAND · IRELAND  
ITALY · SOUTH AMERICA · SPAIN · SWEDEN · U.S.A.  
WEST GERMANY · JAPAN · SINGAPORE · REPUBLIC OF SOUTH AFRICA