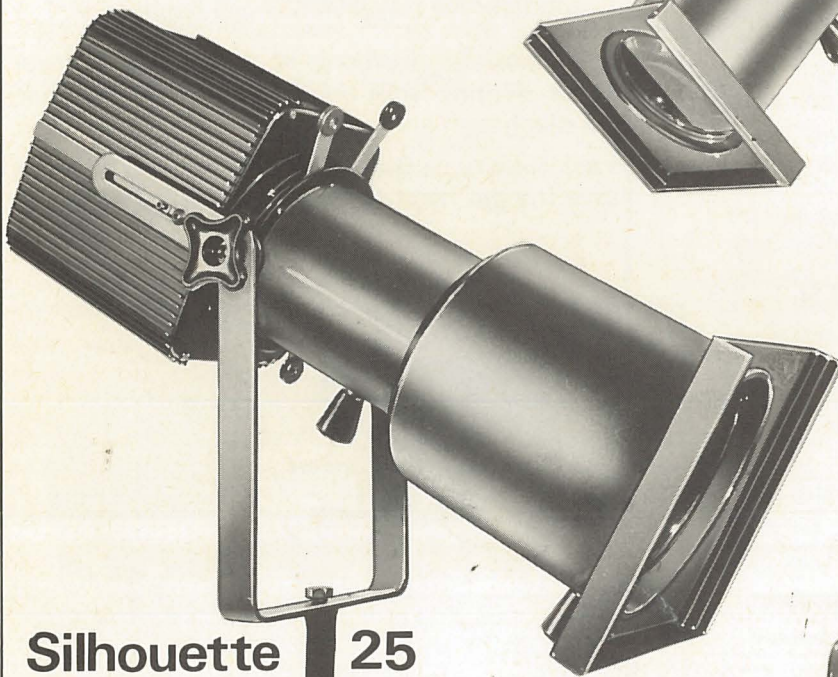
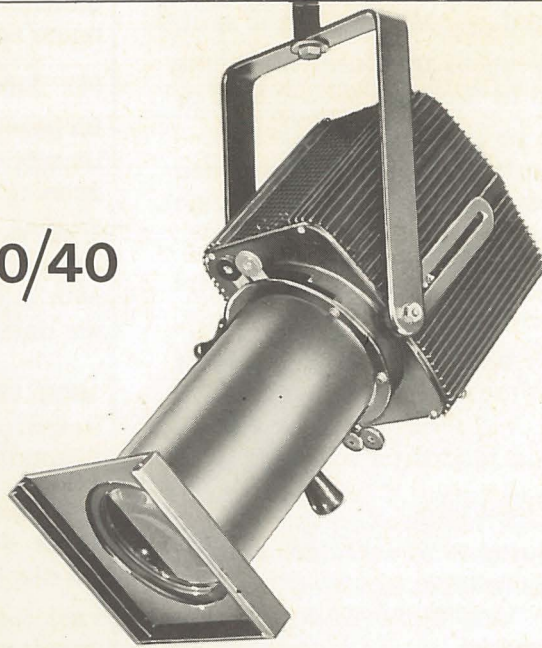


SILHOUETTE 1000 & 2000

CI/SfB 524 (63) Xy

VARIABLE BEAM PROFILE SPOT WITH ASPHERIC REFLECTOR

Silhouette 30/40



Silhouette 25



Silhouette 15

APPLICATION:

Aspheric reflector profile spots of 1000 W and 2000 W are specially designed for theatre stage lighting where hard edged spots of light are required.

The double lens focusing system enabling beam angle adjustment is also practical for gobo effect projection in theatre and TV studios.

GENERAL INFORMATION

The essential particularity of these profile spots is their focusing system using two mobile lenses. Such a system enables adjustment of beam angles whilst keeping a hard or soft edge to the spot.

The front lens determines the beam angle, the rear lens being used to focus the spot to hard or soft edge.

When focusing to soft edge, the spot obtained is similar to that given by a fresnel lensed spotlight.

- (1) Silhouette 15° lens tube.
for beam angles adjustable between 10° to 22°.

Used for long throw work (i.e.: lights located at the rear of the auditorium). Fitted with a rear handle, a spotlight with this lens tube can be used as an economical follow spot.

- (2) Silhouette 25° lens tube
For beam angles adjustable between 16° and 30° used for special applications covering front of house and medium long throw work, where a high definition is required.

- (3) Silhouette 30° lens tube
for beam angles adjustable between 20° and 36° Generally the most often used (i.e. for front of house lights and side lights)

- (4) Silhouette 40° lens tube
for beam angles adjustable between 35° and 45°. Usually applied to short throw work (i.e. stage opening bridge and towers . . .)

1000 W spots and 2000 W profile spots have the same dimensions. The 2000 W spotlight is fitted with a fan at its lower part for lamp cooling, see data page 3.

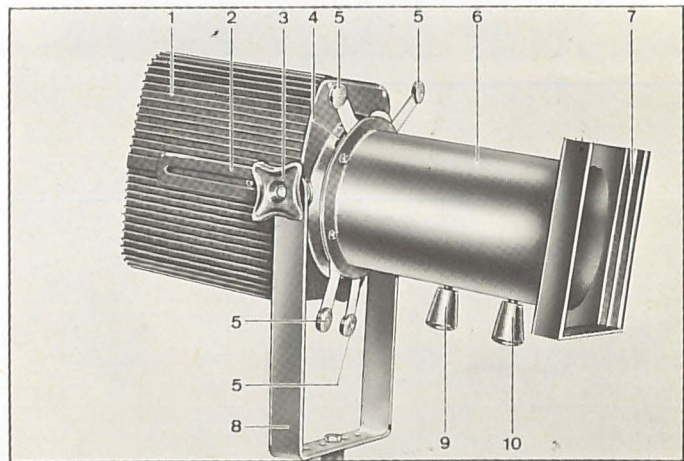
1000 W spots have a Gx9, 5 lampholder for tungsten halogen lamps 2000 W spots have Gx16 lampholder for tungsten halogen lamps

All Silhouette profile spots are fitted with four beam shaping shutters and slot for a drop-in iris diaphragm and gobo

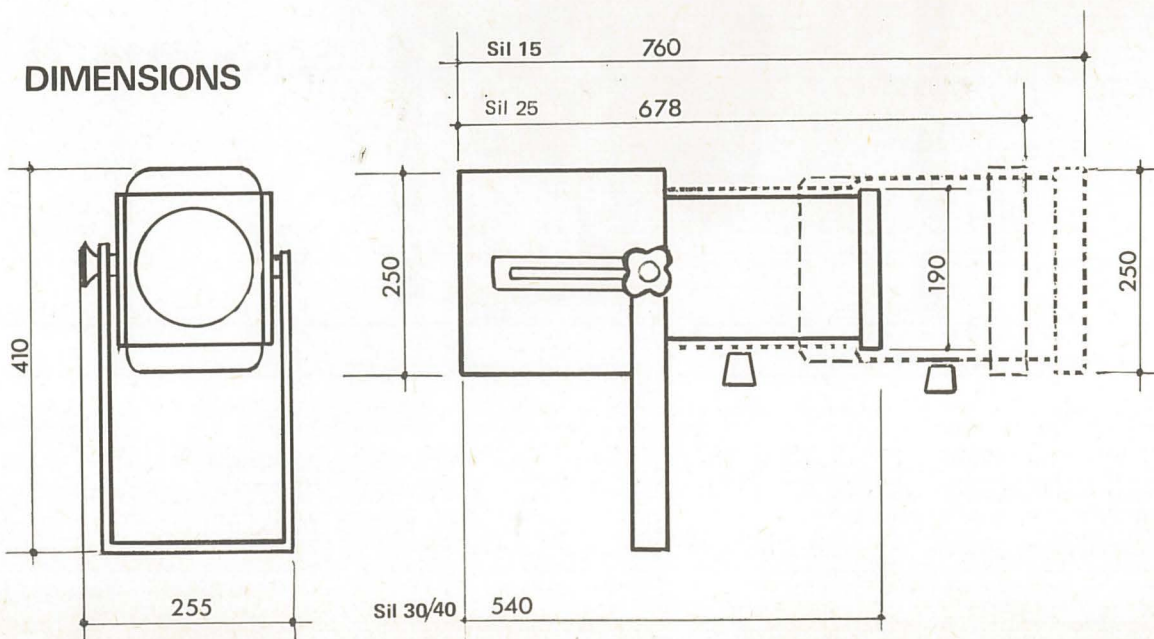
Lens tube types Sil 30° and Sil 40° are the same save for the front lens which is interchangeable.

KEY TO COMPONENT PARTS

1. Extruded aluminium housing.
2. Spotlight balancing adjustment system to rebalance as per fitted lens tube.
3. locking hand wheel.
4. Slot for drop-in iris or gobo.
5. Control levers of 4 beam shaping shutters.
6. Lens tube type Sil 30 (interchangeable tube type Sil 15 or Sil 25)
7. Filter frame runners.
8. Yoke to which a standard DIN BSS spigot can be fitted.
9. Rear lens adjustment hand grip.
10. Front lens adjustment hand grip.



DIMENSIONS



SPECIFICATION

Silhouette 1000 W profile spot
1000 W variable beam profile spot fitted with:

- 1 Aspheric reflector
- 1 yoke with central hole for eventual adaptation of DIN 15560/BSS 4015 spigot
- 1 connecting cable 1½ m long
- 1 filter frame
- 4 beam shaping shutters.

Lens Tube

- 1 type Sil 15 lens tube: fitted with 2 adjustable mobile lenses enabling beam angle adjustment between 10° and 22°.
- 1 type Sil 25° lens tube: fitted with 2 adjustable mobile lens enabling beam angle adjustment between 16° and 30°
- 1 type Sil 30° lens tube: fitted with 2 adjustable mobile lenses enabling beam angle adjustment between 20° and 36°.
- 1 type Sil 40° lens tube: fitted with 2 adjustable mobile lenses enabling beam angle adjustment between 35° and 45°.

Fitted with a 1000 W quartz halogen lamp this spotlight gives the following light intensities:

with type Sil 40 lens tube: 32,000 candelas
with type Sil 15 lens tube: 120,000 candelas

WEIGHTS: SILHOUETTE 1000

	With SIL 40 or SIL 30 lens tube	With type SIL 15 lens tube
Net weight	9,2 kg	12 kg
Packing	1 unit per box	
Dimensions	310 x 330 x 580	310 x 330 x 800
Gross weight	11 kg	13,7 kg
Volume	0,059 m ³	0,082 m ³

SPECIFICATIONS

Silhouette 2000 W profile spot
2000 W variable beam profile spot fitted with:

- 1 Aspheric reflector
- 1 yoke with central hole for eventual adaptation of DIN 15560/BSS 4015 spigot
- 1 connecting cable 1½ m long
- 1 filter frame
- 4 beam shaping shutters.

Lens tube:

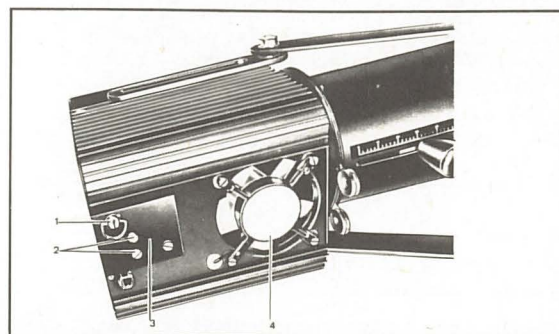
- 1 type Sil 15 lens tube: fitted with 2 adjustable mobile lenses enabling beam angle adjustment between 10° and 22°
- 1 type Sil 25° lens tube: fitted with 2 adjustable mobile lenses enabling beam angle adjustment between 16° and 30°
- 1 type Sil 30° lens tube: fitted with 2 adjustable mobile lenses enabling beam angle adjustment between 20° and 30°
- 1 type Sil 40° lens tube: fitted with 2 adjustable mobile lenses enabling beam angle adjustment between 35° and 45°

Fitted with a 2000 W quartz halogen lamp this spotlight gives the following light intensities:

with type Sil 40 lens tube: 65,000 candelas
with type Sil 15 lens tube: 210,000 candelas

WEIGHTS: SILHOUETTE 2000

	With SIL 40 or SIL 30 lens tube	With type SIL 15 lens tube
Net weight	9,4 kg	12,2 kg
Packing	1 unit per box	
Dimensions	310 x 330 x 580	310 x 330 x 800
Gross weight	11,2 kg	14 kg
Volume	0,059 m ³	0,082 m ³



- 1. Lamp tray lock.
- 2. Lamp position adjustment screws.
- 3. Lamp tray assembly.
- 4. Lamp cooling fan (only on Silhouette Profile 2000 W spot).

FAN INFORMATION: Maximum noise level 38½ dBA at 1 metre below luminaire.

*FCH filament centre height.

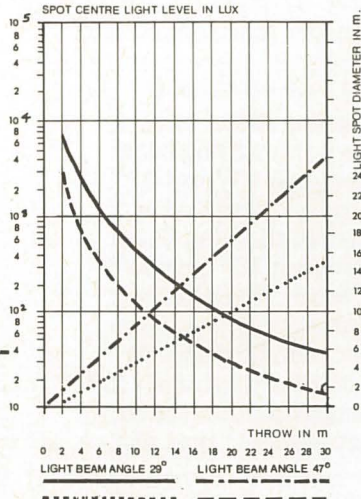
Spotlight type	Base	FCH*	Type	Power	No	Colour temp.	Make	Lamp life	Working position
SIL 1000	Gx9,5	55 mm	halogen-quartz	650 W	CP 47	3200 K	Thorn	100 h	2 x 45°
				650 W	T 10	—	Thorn	750 h	2 x 90°
				650 W	T 10	—	GEC	400 h	2 x 45°
				1000 W	CP 24	3200 K	GEC	150 h	2 x 45°
				1000 W	T 9	—	GEC	400 h	2 x 45°
				1000 W	CP 48	3200 K	Thorn	200 h	2 x 45°
				1000 W	T 9	—	Thorn	750 h	2 x 90°
SIL 2000	Gy 16	80 mm	halogen-quartz	2000 W	CP 43	3200 K	Thorn	400 h	2 x 90°

PHOTOMETRIC DATA

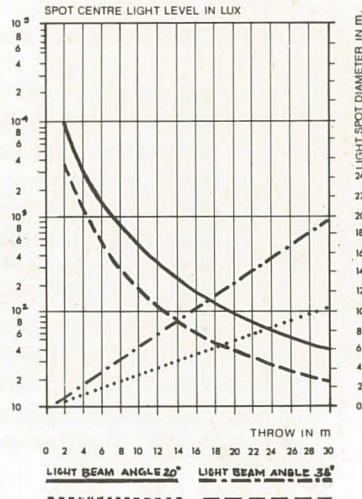
DIAGRAMS

Light level (lux) and light spot diameter (m) in function of throw for luminaire fitted with a 1000 W 240 V quartz halogen lamp.

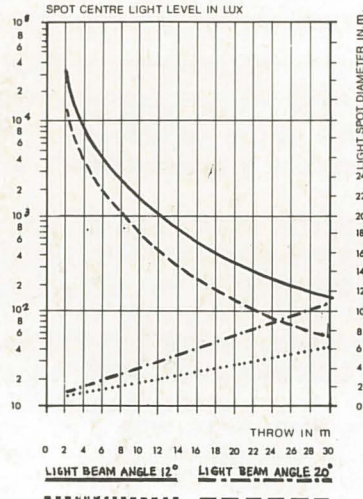
SILHOUETTE 40



SILHOUETTE 30



SILHOUETTE 15

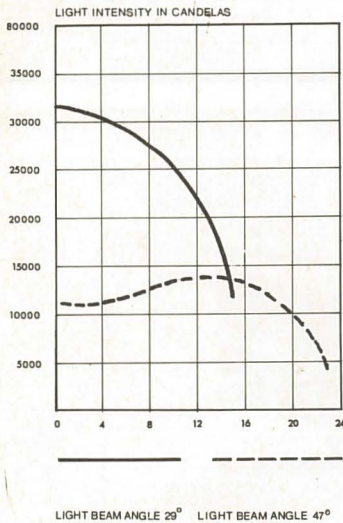


DIAGRAMS

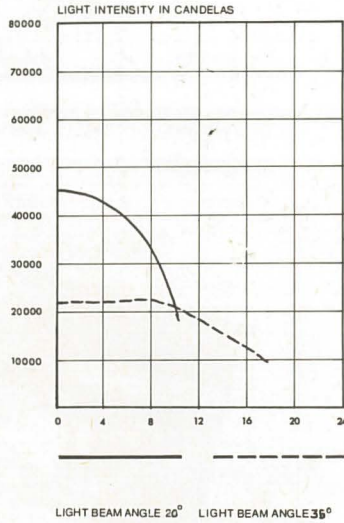
Light intensity (candelas) in function of angle (degrees) determined by line along which the measurement is

taken in respect of beam axis and for a luminaire fitted with a 1000 W 240 V quartz halogen lamp.

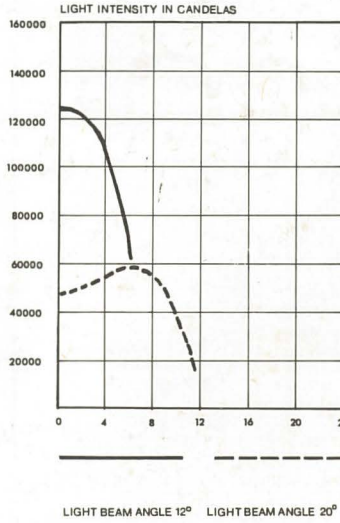
SILHOUETTE 40



SILHOUETTE 30



SILHOUETTE 15



For SIL 2000 light output is approximately double. N.B. These readings are typical values and individual luminaires may differ slightly.

ACCESSORIES

- Rear handle
- Drop in iris diaphragm
- Extra colour frame type SIL 30-40
- Extra colour frame type SIL 25-15
- Silhouette 30 nose and colour frame assembly
- Silhouette 25 nose and colour frame assembly
- Silhouette 15 nose and colour frame assembly
- Sil 40 conversion unit
- Set of 4 beam shaping shutters and plates
- 1 Kilowatt silhouette lamp house assembly

- 2 Kilowatt silhouette lamp house assembly
- 1 Kilowatt spare lamp holder and carrier
- 2 Kilowatt spare lamp holder and carrier
- Semaphore 4 colour change unit silhouette 30-40 (REMOTE OPERATED)
- Semaphore 4 colour change unit silhouette 25-15 (REMOTE OPERATED)
- Semaphore 4 colour change unit silhouette 25-15 (HAND OPERATED)

All rights reserved for technical modifications.