

Product Specification Sheet

Pacific 7.5°-19° Zoomspot



A base down axial profile delivering a “cool” beam of crisp “white” light with little or no distortion, ideal for pattern projection and precise beam shaping, ideal for pattern projection and precise beam shaping. The active heat management system delivers longer life for filters, shutters etc and lower energy consumption.

The Pacific range is constructed from aluminium pressure die-castings and injection moulded Fortron plastic components.

Features

Compact 7.5°-19° luminaire less than 1 metre long.

Cool light 'white' light. Over 80% of the heat is removed from the light beam by cold mirror and dissipated through the heatsink.

Base down lamp mounted axially in the reflector to maximise light collection.

Choice of 600W, 800W, 1000W or 150W MH or MSR 575W lamp modules (each supplied with 1m mains cable).

Accurate, simple & cool to use, lamp peak / flat adjustment.

Two pattern / iris mounting positions.

Independent rotating gate assembly.

Constructed from aluminium pressure die-castings and injection moulded Fortron plastic components.

Automatic disconnection of power on removal of lamp module.

Lamps: 240V

GKV600W	15,000 lumens	300 hours average life
GLB600W	13,000 lumens	1500 hours average life
800W	22,000 lumens	400 hours average life
GAD1000WBP	25,000 lumens	250 hours average life
GAB1000W BP 230V	25,000 lumens	250 hours average life

Order Codes

18PAC719/6	Pacific 7.5-19 Zoomspot, 600W, 800W
18PAC719/1	Pacific 7.5-19 Zoomspot, 1000W
18PACMSR719HR	Pacific 7.5-19 Zoomspot, HR 575W MSR lamp module
18PACCDM719	Pacific 7.5-19 Zoomspot, CDM 150W/70W lamp module
19PACGHB	Pacific gobo holder, B size
20IRIS	Pacific iris
20SM20	Lens safety mesh
20HC	Suspension hook clamp

Approvals

CE marked.

Photometric Data

Tests conducted using standard 240V production lamps manufactured by Philips.

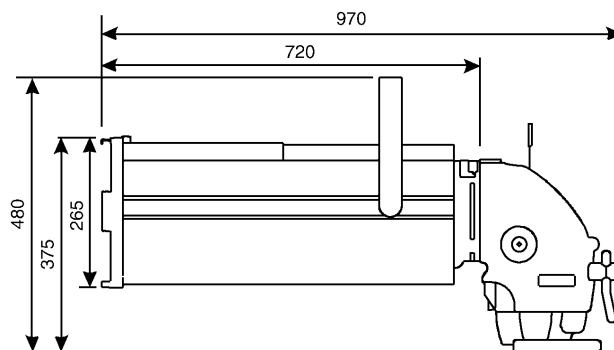
		Beam Diameter in m									
Beam angle		0	0.787	1.3109	1.9663	2.6217	3.2772	3.9326	4.588	5.2435	5.8989
Beam angle	19	0	2.008	3.3469	5.0203	6.6937	8.3671	10.041	11.714	13.387	15.061
Throw Distance	Metres	0	6	10	15	20	25	30	35	40	45
		Light Output in Lux									
Lamp											
240V GKV 600W	7.5°	Peak	9600	3456	1536	864	553	384	282	216	171
		Flat	9600	3456	1536	864	553	384	282	216	171
	19°	Peak	4650	1674	744	419	268	186	137	105	83
		Flat	1750	630	280	158	101	70	51	39	31
240V GKV 800W	7.5°	Peak	11400	4104	1824	1026	657	456	335	257	203
		Flat	11400	4104	1824	1026	657	456	335	257	203
	19°	Peak	5750	2070	920	518	331	230	169	129	102
		Flat	2760	994	442	248	159	110	81	62	49
240V BP 1000W	7.5°	Peak	11120	4003	1779	1001	641	445	327	250	198
		Flat	11120	4003	1779	1001	641	445	327	250	198
	19°	Peak	5700	2052	912	513	328	228	168	128	101
		Flat	3050	1098	488	275	176	122	90	69	54
80V 1200W	7.5°	Peak	15420	5551	2467	1388	888	617	453	347	274
		Flat	15420	5551	2467	1388	888	617	453	347	274
	19°	Peak	8050	2898	1288	725	464	322	237	181	143
		Flat	6000	2160	960	540	346	240	176	135	107
MSR 575 / 2	7.5°	Peak	51500	18540	8240	4635	2966	2060	1513	1159	916
		Flat	51500	18540	8240	4635	2966	2060	1513	1159	916
	19°	Peak	19700	7092	3152	1773	1135	788	579	443	350
		Flat	7500	2700	1200	675	432	300	220	169	133
MSR 575W HR	7.5°	Peak	42100	15156	6736	3789	2425	1684	1237	947	748
		Flat	42100	15156	6736	3789	2425	1684	1237	947	748
	19°	Peak	17700	6372	2832	1593	1020	708	520	398	315
		Flat	7500	2700	1200	675	432	300	220	169	133

Physical Data

Weight: 16.7kg

Colour frame size: 245mm square **Gobo size:** B, 65mm diameter image

Included: 1x colour frame, 1x fitted safety bond, 1x heat sink guard, 1x suspension bolt set & instruction leaflet.



Philips Selecon reserves the right to change the specifications without notice (October 2011).

PHILIPS
Selecon