



HIGH PERFORMANCE 175 FFT PC 4.5° - 62°

The Rama High Performance 175 FFT PC (1.0kW / 1.2kW, 175mm lens) provides an adjustable cone of light has a soft edge and is easily blended with adjacent beams to provide even illumination. The custom designed PC lens produces outstanding light output and unmatched beam quality, similar to a profile beam with 114 Hamburg Frost.

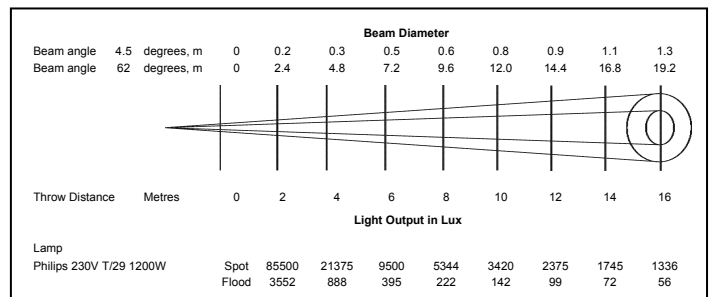
The Rama High Performance 175 FFT PC uses Fast Focus Technology to reduce focus time, another Selecon innovation.

FEATURES

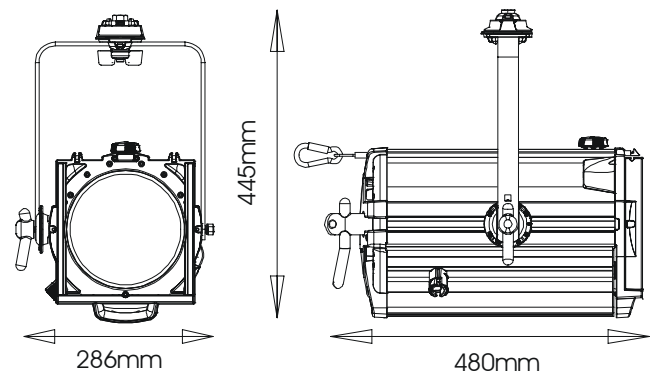
- Fast Focus Technology reduces focus time:
Grip and twist for fast/precise pan adjustment
Twist and tilt for fast/precise tilt adjustment
NO TOOLS REQUIRED
- Custom lens delivers up to 50% more light and unmatched beam quality.
- Integrated safety bond rated for the fitting; maximum free length = 830mm.
- Adjustable yoke balance point.
- 'Swing-down' door for easy access to lamp or cleaning. Disconnects the mains power supply on opening.
- Smooth 'posi-slide' focus system, no metal to metal contact.
- Constructed of aluminium extrusion and moulded engineering plastics.
- Cooler operation due to use of engineering plastics on front (colour frame mount) and rear of luminaire.
- Heat-insulated rear grab-handle which doubles as handy storage for the 1m cable length.
- Tilt and focus scale is in real degrees allowing for accurate WSYIWYG implementation
- Compliant to CE standards.

PHOTOMETRIC DATA

Tests conducted using a standard T29, 1200W, 230V lamp.
Peak candela at 4.5° - 342,000
Peak candela at 62° - 14,220



PHYSICAL DATA



Weight: 7.5kg
Packed Weight: 8.4kg
Colour Frame Size: 186mm x 190mm
Included: 1 x colour frame & instruction sheet

LAMPS: 220V – 240V

T/29 1200W	27,600 lumens	480 hours average life
CP901200W	30,000 lumens	400 hours average life
T/11 T/19 1200W	21,500 lumens	900 hours average life
CP70 1200W	25,000 lumens	400hours average life

ORDER CODES & ACCESSORIES

16RAPC175FT	Rama PC 175-GX9.5 lampbase - FFT yoke
16RAPC175G22FT	Rama PC 175-G22 lampbase - FFT yoke
16RAPC175MY	Rama PC 175- GX9.5 for motorised yoke
20BDSF12	Rama barndoor
20SM6	Rama lens safety mesh

Selecon reserves the right to change the specifications without notice (07/07)