

# SELECON

## PRODUCT SPECIFICATION

# Rama

## 150 FRESNEL 7° - 50°

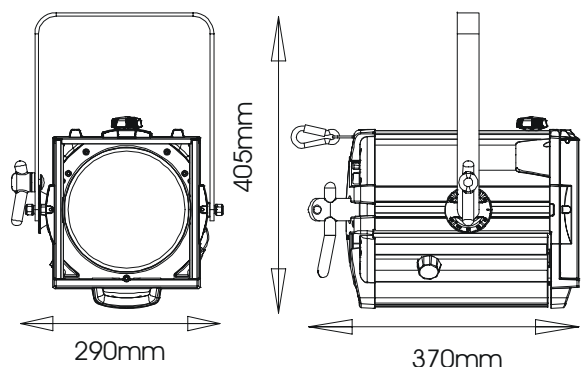


The Rama 150 Fresnel (1.0kW / 1.2kW, 150mm lens) provides an adjustable cone of light that has a soft edge, easily blended with adjacent beams to provide even illumination.

### FEATURES

- Integrated safety bond rated for the fitting; maximum free length = 670mm.
- Adjustable yoke balance point.
- 'Swing-down' door for easy access to lamp or cleaning. Disconnects the mains power supply on opening.
- Smooth 'posi-slide' focus system, no metal to metal contact.
- Constructed of aluminium extrusion and moulded engineering plastics.
- Cooler operation due to use of engineering plastics on front (colour frame mount) and rear of luminaire.
- Heat-insulated rear grab-handle which doubles as handy storage for the 1m cable length.
- Tilt and focus scale is in real degrees allowing for accurate WSIWYG implementation.
- Compliant to CE standards.

### PHYSICAL DATA



**Weight:** 5.3kg  
**Packed Weight:** 6.2kg  
**Colour Frame Size:** 186mm x 190mm  
**Included:** 1 x colour frame, yoke nut & bolt, instruction leaflet.

### PHOTOMETRIC DATA

Tests conducted using a standard T29, 1200W, 230V lamp.  
 Peak candela at 7° - 165,600  
 Peak candela at 50° - 17,640

### LAMPS: 220V-240V

<b>T/29 1200W</b>	27,600 lumens	480 hours average life
<b>CP90 1200W</b>	30,000 lumens	400 hours average life
<b>T/11 T/19 1000W</b>	21,500 lumens	900 hours average life
<b>CP70 1000W</b>	25,000 lumens	400 hours average life

### ORDER CODES & ACCESSORIES

16RAFR150	Rama Fresnel 150 - GX9.5 lampbase
16RAFR150G22	Rama Fresnel 150 - G22 lampbase
20BDSF12	Rama barndoor
20SM6	Rama lens safety mesh

Selecon reserves the right to change the specifications without notice (07/07)

