

# STRAND SPOTLIGHTS

## PATTERN 93 LONG RANGE SPOTLIGHT 1000 WATT



This lantern gives a high power, narrow angle clear cut beam of twice to three times the intensity of the standard Mirror spot. Beam shape and size is adjustable by iris diaphragm and four-sided masking shutter.

Specially suitable for long throw precision work or as a following spot comparable with, but more convenient than, a small arc.

### SPECIFICATION

Ventilated housing constructed mainly of castings to ensure accurate location of the super pure aluminium ellipsoidal front and rear reflectors which together enclose the lamp and collect a large solid angle of light; Gate consists of iris diaphragm variable by external lever, and masking shutter plate removable for adjustment. (Both provided.) Heat resisting objective lens, 8 in. diam. by 13 in., to focus gate aperture, hard or soft-edged colour runner with metal colour frame and lens guard. Strand large prefocus holder with intensifying knob under lantern. Access by hinged rear door. Tilting fork fitted with  $\frac{1}{2}$ -in. Whitworth stem (for suspension by barrel clamp or insertion in stand), and tilt locking clamps. Handle for following artists, fitted at rear. Wired with 3 ft. heat-resisting tails. Finish: black crystalline outside, matt black inside.

**Angle of Tilt:** 45° below horizontal, 5° above. (Lamp is pre-tilted within lantern.)

**Beam Angles:** Maximum 15°, minimum 6°.

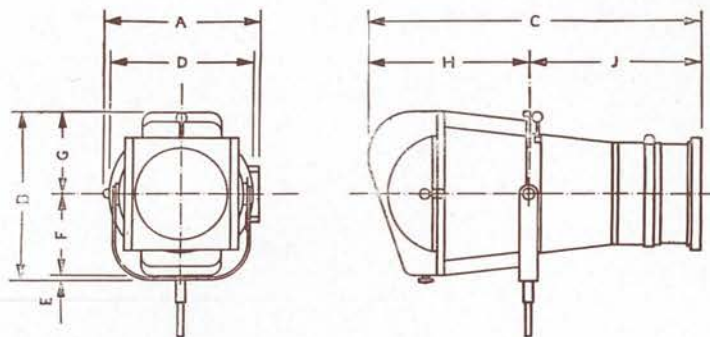
**Lamp:** 1,000-watt, Class A.1 tubular projector with large prefocus cap.

**Effective Throw:** 100 ft.

### DIMENSIONS

	Ft.	In.		Ft.	In.
A ...	1	1 $\frac{3}{4}$	E ...	0	4 $\frac{1}{4}$
B ...	1	6 $\frac{3}{4}$	F ...	0	7 $\frac{1}{4}$
C (max.) ...	2	6	G ...	0	7 $\frac{1}{2}$
(min.) ...	2	4	H ...	1	2
D ...	1	0 $\frac{1}{2}$	J (max.) ...	1	4
			(min.) ...	1	2

Weight: 45  $\frac{1}{4}$  lb.



HEAD OFFICE AND SHOWROOMS  
29, KING STREET, LONDON, W.C.2  
SALES AND GOODS - 24, FLORAL ST., W.C.2  
TEMPLE BAR 444 GRAMS: SPOTLITE RAND LONDON



BRANCHES  
313, OLDHAM ROAD, MANCHESTER 10  
COLLYHURST 2736  
62, DAWSON ST., DUBLIN - DUB 74030

Goods are only offered subject to our terms of business.

# STRAND SPOTLIGHTS

## PATTERN 93 LONG RANGE SPOTLIGHT 1000 WATT

	£ s. d.
<b>PRICE OF LANTERN (exclusive of lamp)</b> .. .. .	<b>57 15 0</b> each
C.370—Spare metal colour frames ( $9\frac{7}{8}$ in. by $9\frac{7}{8}$ in.) .. .. .	2 7 ..
C.371—"Cinemoid" colours or frost cut to fit C.370 frames .. .. .	15 0 per doz.
C.372—Spare 4-shutter masking plate .. .. .	on application
C.369—Spare heat resisting 8 in. diam., 13 in. focus, plano convex lenses .. .. .	5 10 0 each
15-amp. 3-pin plug (to B.S. 546) .. .. .	4 0 ..
C.184—15-amp. connector socket outlet (to B.S. 1778) to take above plug .. .. .	13 9 ..
C.66—Telescopic stand (min. height 4 ft. 3 in., max. height 7 ft.) .. .. .	4 6 0 ..
C.246—Extra strong safety chain with snap hook (for use when lantern is suspended) .. .. .	6 0 ..
C.65—"L" clamp for 2-in. external diameter ( $1\frac{1}{2}$ -in. gas) barrel .. .. .	4 0 ..
C.83—Hook type barrel clamp for $1\frac{1}{4}$ -2-inch gas barrel ( $1\frac{3}{4}$ - $2\frac{3}{8}$ ext. diam.) with hand wheel for locking horizontal swivel .. .. .	2 3 6 ..
C.84—Adjustable clamp for $1\frac{3}{4}$ to $2\frac{3}{8}$ -in. external diameter barrel ( $1\frac{1}{4}$ to 2-in. gas) .. .. .	12 6 ..
C.255—Fixed boomerang bracket for 2-in. external diameter ( $1\frac{1}{2}$ -in. gas) barrel (reach 11 in.) .. .. .	14 6 ..
C.259—Ceiling fixing saddle .. .. .	8 9 ..
C.112—Heavy cast iron base with locking handle .. .. .	1 3 6 ..

HEAD OFFICE AND SHOWROOMS  
**29, KING STREET, LONDON, W.C.2**  
 SALES AND GOODS - 24, FLORAL ST., W.C.2  
 TEMPLE BAR 444 GRAMS: SPOTLITE RAND LONDON



BRANCHES  
**313, OLDHAM ROAD, MANCHESTER 10**  
 COLLYHURST 2736  
**62, DAWSON ST., DUBLIN - DUB 74030**