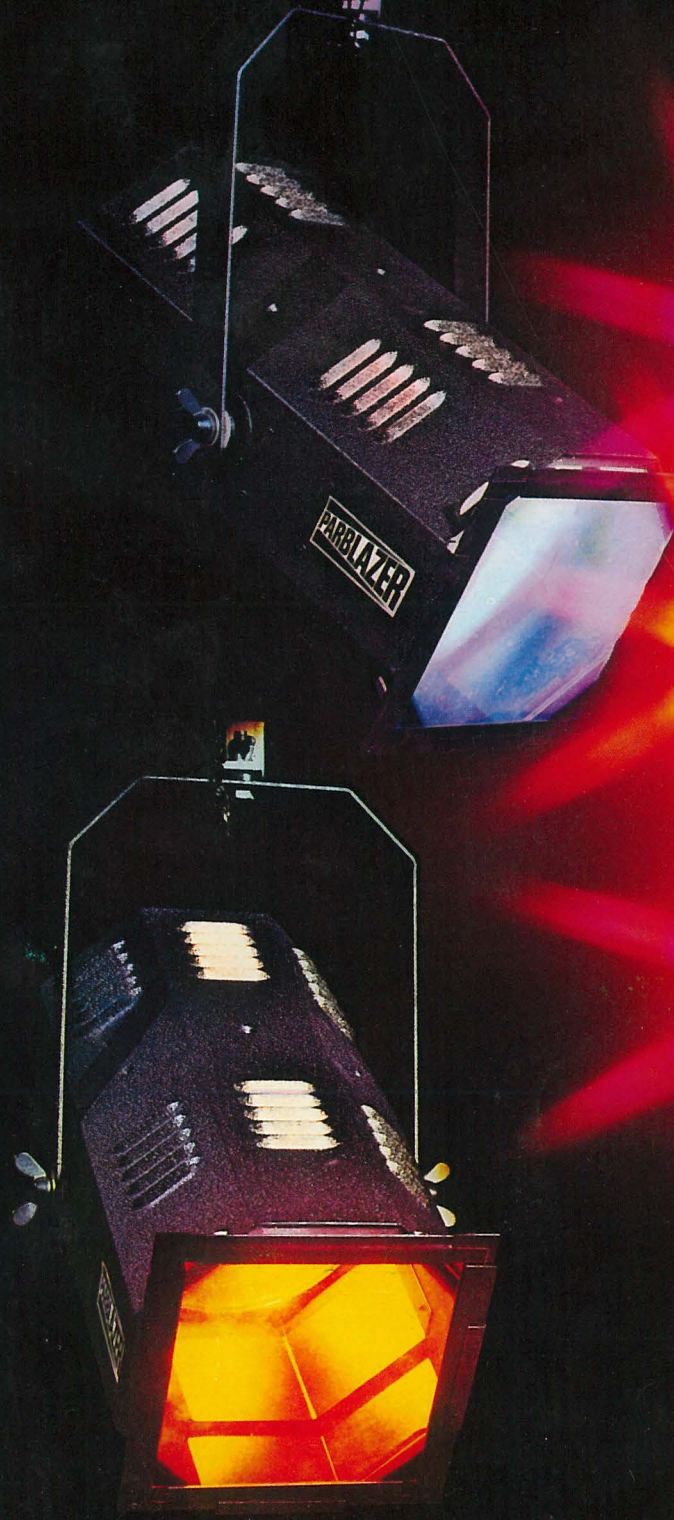


PARBLAZER

**A LOT OF
LIGHT
...FAST**

1000w HALOGEN

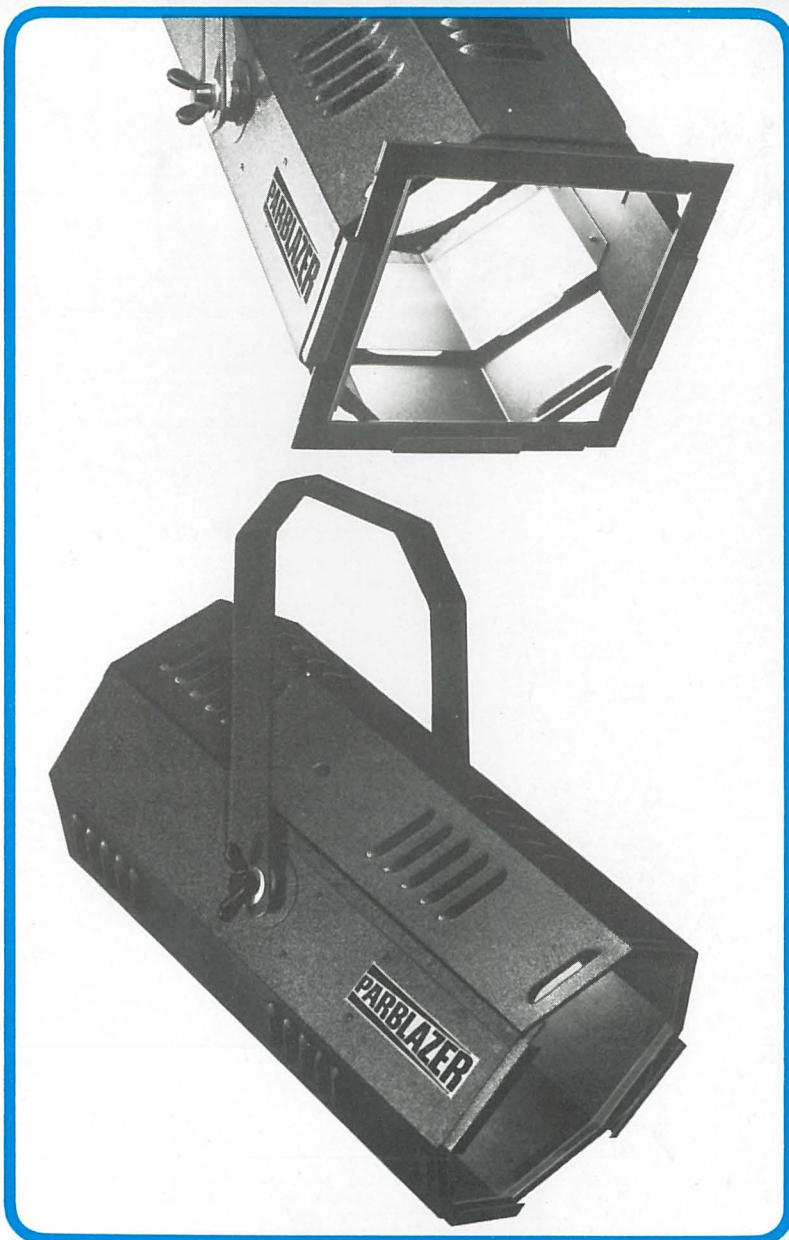


RANK STRAND ELECTRIC

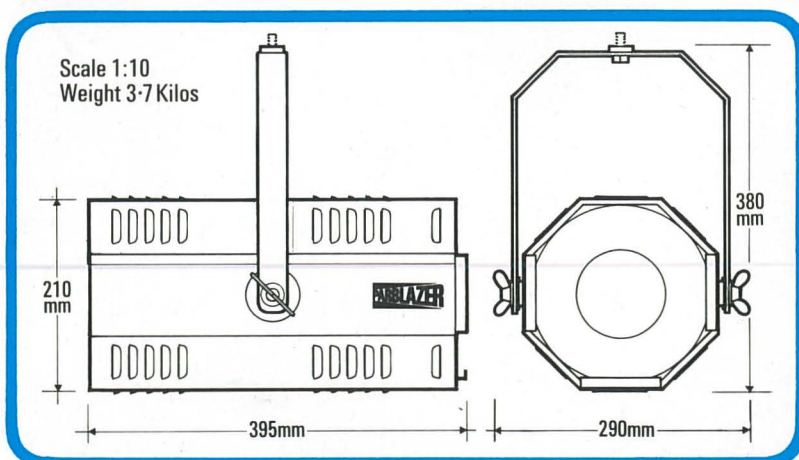
Parblazers are for a broad, even brush, effect with more than enough punch to indulge in strong, vibrant colour filters – not for carefully contrived lighting with subtle nuances. Parblazers are fast to rig and set because, apart from tilt and swivel lock, there is just one recessed knob to alter the orientation of the oval beam distribution.

The beam spread is determined by a choice of 1000W 120v PAR64 halogen lamp with its sealed-in reflector to prevent depreciation by dirt and dust. The short, thick, coiled-coil filament for 120 volt provides high luminous efficacy coupled with useful beam distribution and physical robustness. For 220/240v operation, two Parblazers can be connected in series – not inconvenient for this style of lighting. To speed and simplify this series-interconnection an accessory pack of non-european plugs and series sockets is offered. The Parblazer is built to combine strength with low weight and protrusions are kept to the very minimum. The colour frame, supplied with each Parblazer, is of a brand new design* to secure any non-flam colour filter at the edges.

*Patent applied for



Parblazer 1000w Halogen



BEAM SPREAD

FFP 1000W 120v PAR64 lamp, 3200°K, 300hr.

$\frac{1}{2}$ peak angle 7° x 14° oval $\frac{1}{10}$ peak angle 14° x 26° oval

Throw in metres	8	10	12	14
Spread in metres	1 x 2	1.2 x 2.5	1.5 x 3	1.7 x 3.4
Peak Illumination, lux	5155	3300	2290	1680

FFR 1000W 120v PAR64 lamp, 3200°K, 300hr.

$\frac{1}{2}$ peak angle 12° x 28° oval $\frac{1}{10}$ peak angle 21° x 44° oval

Throw in metres	4	6	8	10
Spread in metres	0.8 x 2	1.3 x 3	1.7 x 4	2.1 x 5
Peak Illumination, lux	7810	3470	1950	1250



RANK STRAND ELECTRIC, P.O. Box 70, Great West Road, Brentford, Middlesex. TW8 9HR England. Telephone 01-568 9222
Telex 27976 Cables RANKAUDIO BRENTFORD
A Division of Rank Audio Visual Limited.