

Product Specification Sheet

Pacific 20° Fixed Beam



A base down axial profile delivering a “cool” beam of light in a range of fixed beams including 20°, 30°, 40° and 50°. The beam is of crisp “white” light with little or no distortion, ideal for pattern projection and precise beam shaping.

An energy efficient luminaire with active heat management system delivers longer life for filters, shutters and lower energy consumption.

Features

Produces more light than comparative traditional ellipsoidal profiles.

Cool 'white' light. Over 80% of the heat is removed from the light beam by the cold mirror and dissipated through the heat-sink.

Base down lamp mounted axially in the reflector to maximise light collection.

Choice of 600W, 800W, 1000W or 150W MH or MSR 575W lamp modules (each supplied with 1m mains cable).

Constructed from aluminium pressure die-castings and injection moulded Fortron plastic components

Accurate & easy to use lamp peak/ flat adjustment.

Two pattern/ iris mounting positions.

Automatic disconnection of power on removal of lamp module.

Height adjustable yoke.

Lamps: 240V

GKV600W	15,000 lumens	300 hours average life
GLB600W	13,000 lumens	1500 hours average life
800W	22,000 lumens	400 hours average life
GAD1000WBP	25,000 lumens	250 hours average life
GAB1000W BP 230V	25,000 lumens	250 hours average life

Order Codes

18PACFB/6	Pacific Fixed Beam body, no lens, 600W, 800W
18PACFB/1	Pacific Fixed Beam body, no lens, 1000W
18PACL20	Pacific 20° lens assembly
19PACGHA	Pacific gobo holder, 'A' size
19PACCF	Additional colour frame
20IRIS	Pacific iris
19PACSMFB	Pacific lens safety mesh
20HC	Suspension hook clamp

Approvals

CE marked.

Photometric Data

Tests conducted using standard 240V production lamps manufactured by Philips.

Beam angle	20 °, m	Beam Diameter								
		0.0	1.4	2.8	4.2	5.6	7.1	8.5	9.9	11.3
Throw Distance in m		0	4	8	12	16	20	24	28	32
Lamp		Light Output in Lux								
240V BP 1000W	20°	Peak	12200	3050	1356	763	488	339	-	-
		Flat	8200	2050	911	513	328	-	-	-
240V 800W	20°	Peak	14300	3575	1589	894	572	397	292	-
		Flat	10000	2500	1111	625	400	-	-	-
240V GKV 600W	20°	Peak	9250	2313	1028	578	370	257	-	-
		Flat	7000	1750	778	438	-	-	-	-
80V 1200W	20°	Peak	19900	4975	2211	1244	796	553	406	311
		Flat	15000	3750	1667	938	600	417	306	-
MSR 575 / 2	20°	Peak	27000	6750	3000	1688	1080	750	551	422
		Flat	15500	3875	1722	969	620	431	316	-
CDM-T 942 / 830 150W	20°	Peak	8500	2125	944	531	340	-	-	-
		Flat	6600	1650	733	413	-	-	-	-
CDM-T 942 / 830 70W	20°	Peak	5050	1263	561	316	-	-	-	-
		Flat	3500	875	389	-	-	-	-	-
CST 250 HR	20°	Peak	9125	2281	1014	570	365	253	-	-
		Flat	7813	1953	868	488	313	217	-	-

Physical Data

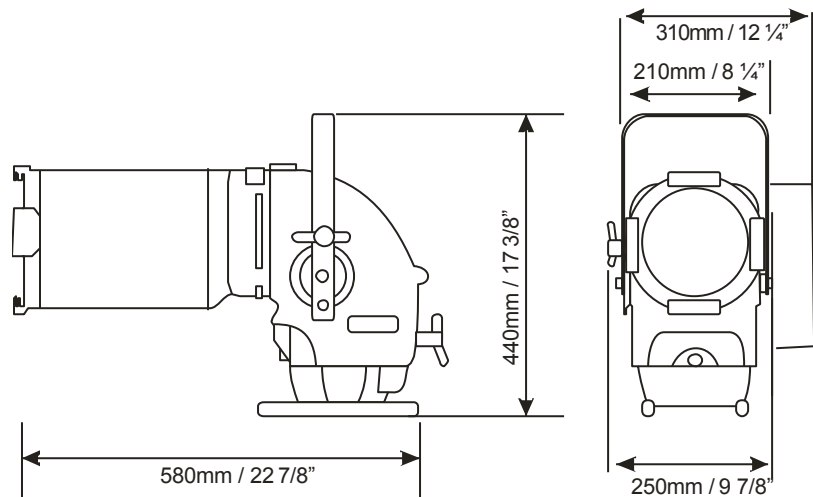
Weight: 8.1kg

Carton size: 650mm x 400mm x 260mm (estimated)

Colour frame size: 158mm square

Gobo size: A, 75mm diameter image

Included: 1x colour frame, 1x fitted safety bond, 1x heat sink guard, 1x M12 suspension bolt set and instruction leaflet.



Philips Selecon reserves the right to change the specifications without notice (October 2011).

PHILIPS
Selecon