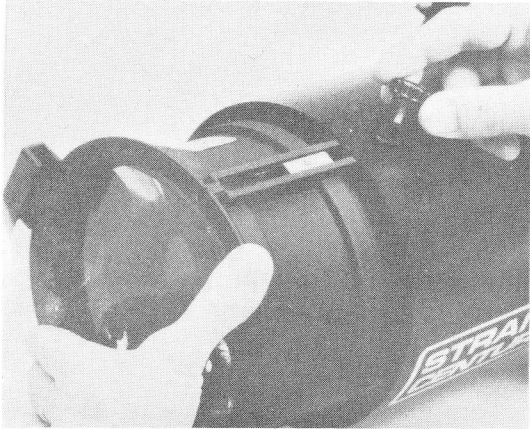


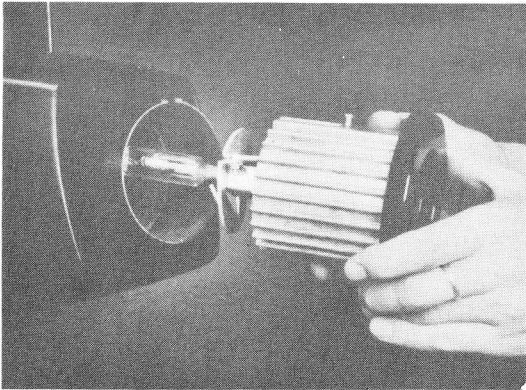
A Guide To Your New Strand Century Lekolite® Spotlight

INSTALL LENS TUBE



1. Remove knob from tee nut on lens tube.
2. Install lens tube in lens sleeve.
3. Align hole in tee nut with hole in lens sleeve.
4. Install knob and tighten.

INSTALL OR CHANGE LAMP



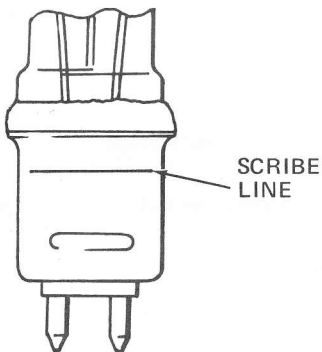
1. **VERIFY THAT POWER IS OFF.**
2. Loosen knob until lamp socket housing can be removed.
3. If required, remove lamp.

—IMPORTANT—

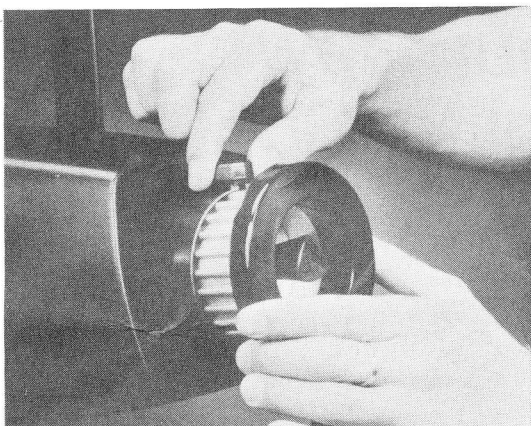
PREMATURE LAMP FAILURE, DUE TO CONTACT ARCING, WILL OCCUR IF LAMP IS NOT PROPERLY SEATED.

DO NOT TOUCH LAMP GLASS WITH FINGERS.

4. Press lamp into socket until scribe line on lamp base is even with socket face.
5. Install lamp socket housing and tighten knob.



FOCUS OR ALIGN LAMP

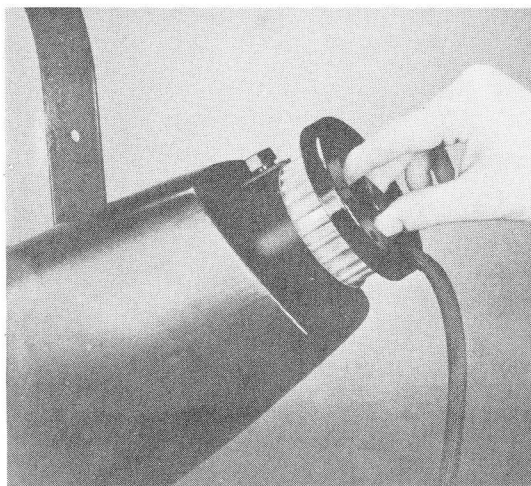


1. POWER MUST BE ON.
2. Loosen knob on lamp socket housing until free to move.
3. Slide lamp socket housing in or out as required for smooth light distribution.
4. Tighten knob.
5. Loosen lamp centering knob.

—IMPORTANT—

WHEN IRIS IS INSTALLED, THE LAMP MUST BE CAREFULLY CENTERED, TO ENSURE THAT THE REFLECTED "HOT SPOT" IS THROUGH THE IRIS OPENING RATHER THAN AGAINST THE IRIS REAR SURFACE.

6. Grasp knob near bottom and move as required to center lamp.
7. Tighten knob.



SHAPE OR FOCUS BEAM



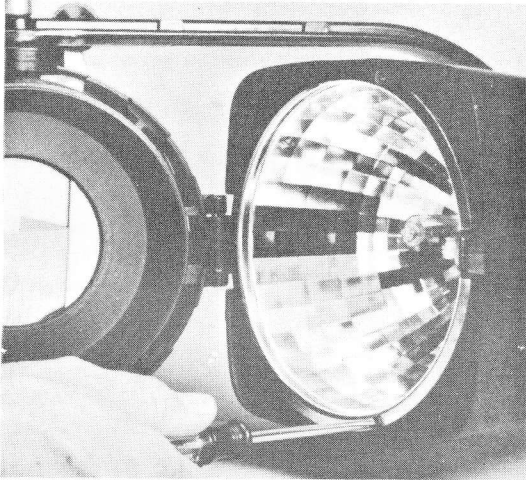
1. POWER MUST BE ON

—IMPORTANT—

WHEN IRIS IS INSTALLED AND USED TO SHAPE THE BEAM, THE IRIS OPENING SHOULD BE FRAMED WITH THE SHUTTERS TO REDUCE THE LAMP HEAT ON THE IRIS SURFACE AS MUCH AS POSSIBLE.

2. Use the shutters and/or iris to shape the beam.
3. Loosen knob on lens sleeve.
4. Slide lens tube in or out for desired sharpness.
5. Tighten knob.

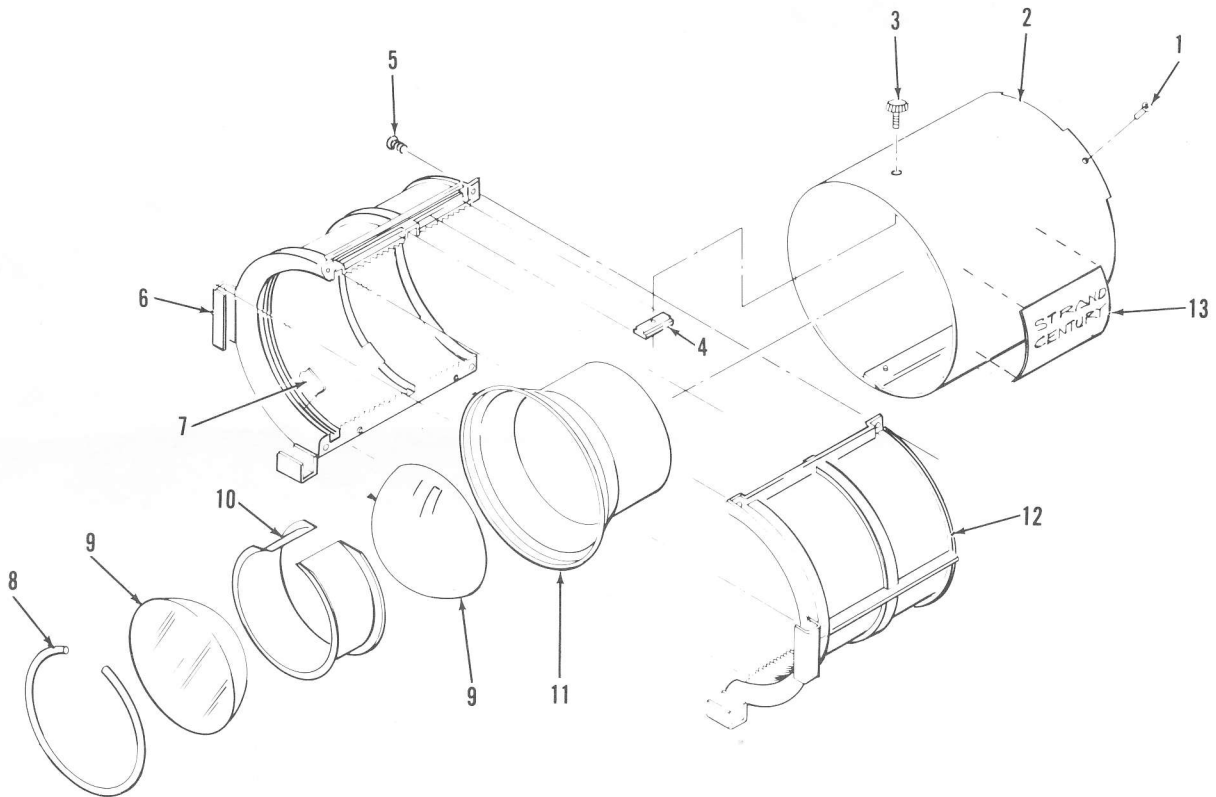
CLEAN OR CHANGE REFLECTOR



1. **VERIFY THAT POWER IS OFF.**
2. Remove lamp socket housing.
3. Push to release center body latch.
4. Swing rear body housing open for access to reflector.
5. Clean reflector with 1:1 alcohol and water mixture. Use soft lint-free cloth. **DO NOT USE ABRASIVE CLEANERS.**
6. To remove reflector, remove three screws securing it to housing.

CLEAN OR CHANGE 4-1/2 INCH LENSES

1. Remove lens tube by removing knob (3) from teenut (4).
2. Pull lens tube out of sleeve (2).
3. Remove four screws (5) securing lens tube sides together.
4. Separate lens tube sides and remove lens and lens adapter (11). NOTE POSITION OF LENS MOUNTS (7).
5. Remove spring ring (8).
6. Remove lenses (9) and spacer (10) from lens adapter (11).
7. Clean lenses with 1:1 mixture of alcohol and water or household glass cleaner.
8. Assemble lenses in lens adapter by reversing steps 5 and 6.
9. Install lens adapter in lens tube sides (VERIFY ORIGINAL POSITION OF LENS MOUNTS) and secure sides with four screws.
10. Install lens tube in sleeve and secure with knob.

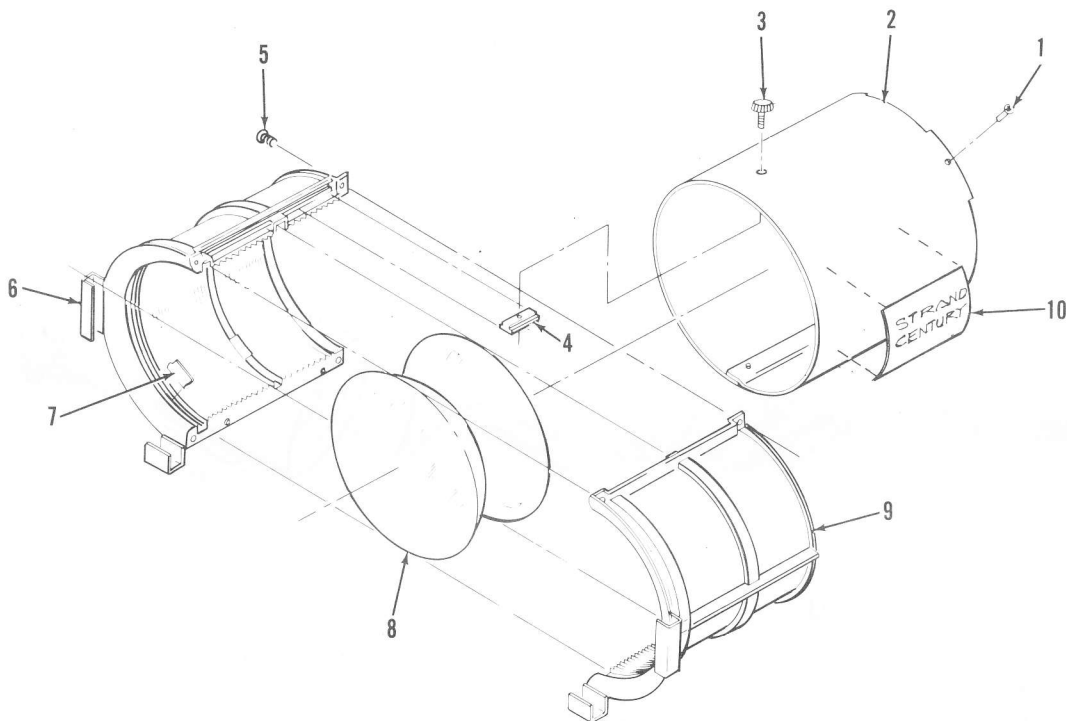


REF	DESCRIPTION	QTY	PART NO.
1	Screw, PHMS, Selftap "T" 8-32 x 1/4	4	0-080044
2	Sleeve, Lens, 4-1/2 x 6-1/2	1	10064
3	Knob, Lens Focus, Phenolic, 10-24 Thread	1	1-256029-000
4	Teenut, Sliding	1	6-390001-010
5	Screw, PHMS, Selftap "T" 8-32 x 1/2	4	0-080044
6	Lens Housing	1	6-359014-020

REF	DESCRIPTION	QTY	PART NO.
7	Mount, Lens, Silicone	8	6-259001-010
8	Spring Ring, Lens Retaining, 4-1/2"	1	6-330001-050
9	Lens, Plano-Convex, 4-1/2 x 6-1/2	2	1-270501-000
10	Spacer, Lens, 4-1/2"	1	6-340008-010
11	Adapter, Lens, 4-1/2"	1	6-007004-010
12	Lens Housing	1	6-359014-010
13	Label, Strand Century Logo	1	10351-20

CLEAN OR CHANGE 6 INCH LENSES

1. Remove lens tube by removing knob (3) from teenut (4).
2. Pull lens tube out of sleeve (2).
3. Remove four screws (5) securing lens tube sides together.
4. Separate lens tube sides and remove lenses. NOTE POSITION OF LENS MOUNTS (7).
5. Clean lenses with 1:1 mixture of alcohol and water or household glass cleaner.
6. Assemble lenses in lens tube sides. (VERIFY ORIGINAL POSITION OF LENS MOUNTS) and secure sides with four screws.
7. Install lens tube in sleeve and secure with knob.



REF	DESCRIPTION	QTY	PART NO.	REF	DESCRIPTION	QTY	PART NO.
1	Screw, PHMS, Selftap "T" 8-32 x 1/4	4	0-080044	6	Lens Housing	1	6-359014-020
2	Sleeve, Lens, 6 x 9 (used on Cat. No. 2209 and 2212)	1	10064	7	Mount, Lens, Silicone	8	6-259001-010
2	Sleeve, Lens, 6 x 16 (used on Cat. No. 2216 and 2217)	1	10070	8	Lens, Plano-Convex, 6 x 9 (used on Cat. No. 2209)	2	1-270502-000
2	Sleeve, Lens, 6 x 12 (used on Cat. No. 2112, 2111, 2212, and 2213)	1	10071	8	Lens, Plano-Convex 6 x 12 (2 used on Cat. No. 2212 and 2213, 1 used on Cat. No. 2111 and 2212)	2	1-270503-000
3	Knob, Lens Focus, Phenolic	1	1-256029-000	8	Lens, Plano-Convex 6 x 16 (used on Cat. No. 2216 and 2217)	2	1-270509-000
4	Teenut, Sliding	1	6-390001-010	9	Lens Housing	1	6-359014-010
5	Screw, PHMS, Selftap "T" 8-32 x 1/2	4	0-080044	10	Label, Strand Century Logo	1	10351-20

CLEAN OR CHANGE 8 INCH LENS

CLEAN LENS

1. Remove lens sleeve (6) from lens shroud (2) by removing knob (5).
2. Pull lens sleeve off of shroud.
3. Clean lens (7) with 1:1 mixture of alcohol and water or household glass cleaner.

2. Remove three screws (11), nuts (9), and washers (12) securing gel frame clips (10) to sleeve (6). NOTE POSITION OF LENS MOUNTS (8).

3. Remove lens (7).

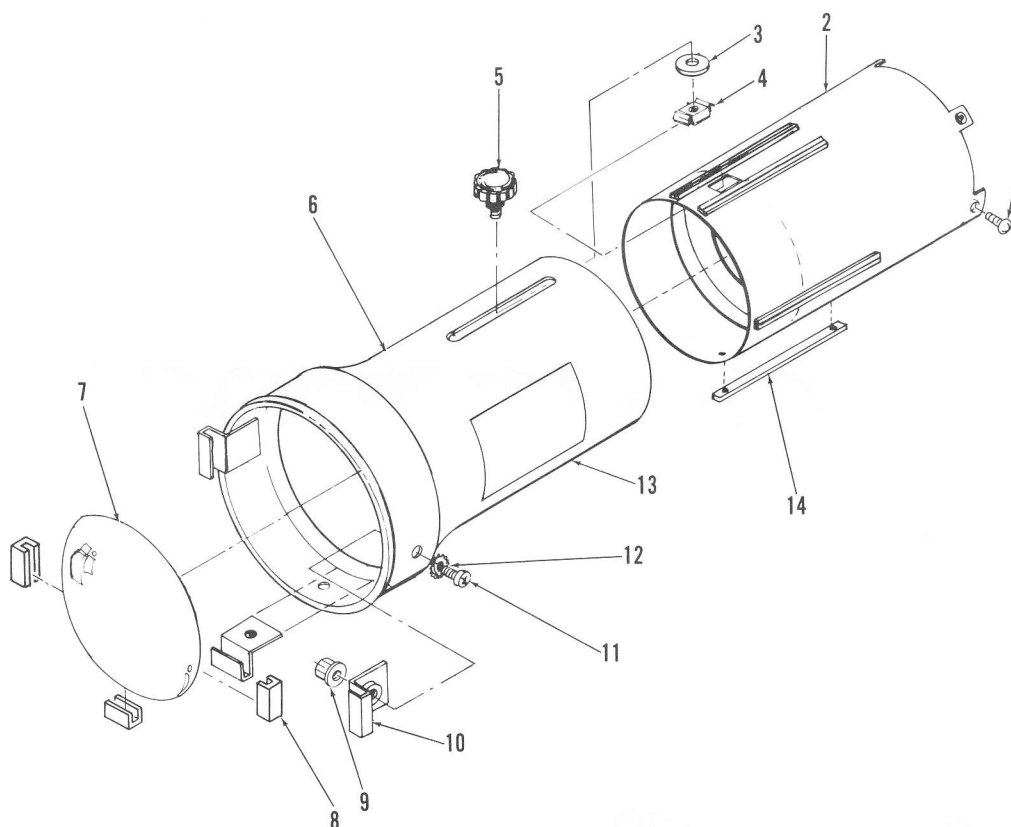
4. Install lens in sleeve (6). (VERIFY POSITION OF LENS MOUNTS) and secure with gel frame clips, screws, washers, and nuts.

REPLACE LENS

1. Perform steps 1 and 2 above.

INSTALL LENS SLEEVE

Install lens sleeve on lens shroud and secure with nylon washer (3) and knob.



REF	DESCRIPTION	QTY	PART NO.	REF	DESCRIPTION	QTY	PART NO.
1	Screw, PHMS, Selftap "T" 8-32 x 1/4	4	0-080044	7	Lens, Plano-Convex 8 x 13	1	1-270512-000
2	Shroud, Lens, 8"	1	10071-03	8	Mount, Lens, Silicone	3	6-259001-010
3	Washer, Nylon	1	1-290107-000	9	Nut, Cap, 10-32	3	0-100030
4	Nut, Floating, 10-24	1	1-390003-000	10	Clip, Gel Frame	3	11230-10
5	Knob, Lens Focus, Phenolic 10-24 Thread	1	1-256053-000	11	Screw, THMS, 10-32 x 1/2	3	0-100046
6	Sleeve, Lens, 8"	1	11215-02	12	Washer, Lock, Ext Tooth, No. 10	3	0-100004
				13	Label, Strand Century Logo	2	10351-20
				14	Guide, Card, Lens Shroud	5	1-193080-000

CLEAN OR CHANGE 10 INCH LENS

CLEAN LENS

1. Remove lens sleeve (11) from lens shroud (21) by removing knob (5).
2. Pull lens sleeve off of shroud.
3. Clean lens (7) with 1:1 mixture of alcohol and water or household glass cleaner.

REPLACE LENS

1. Perform steps 1 and 2 above.

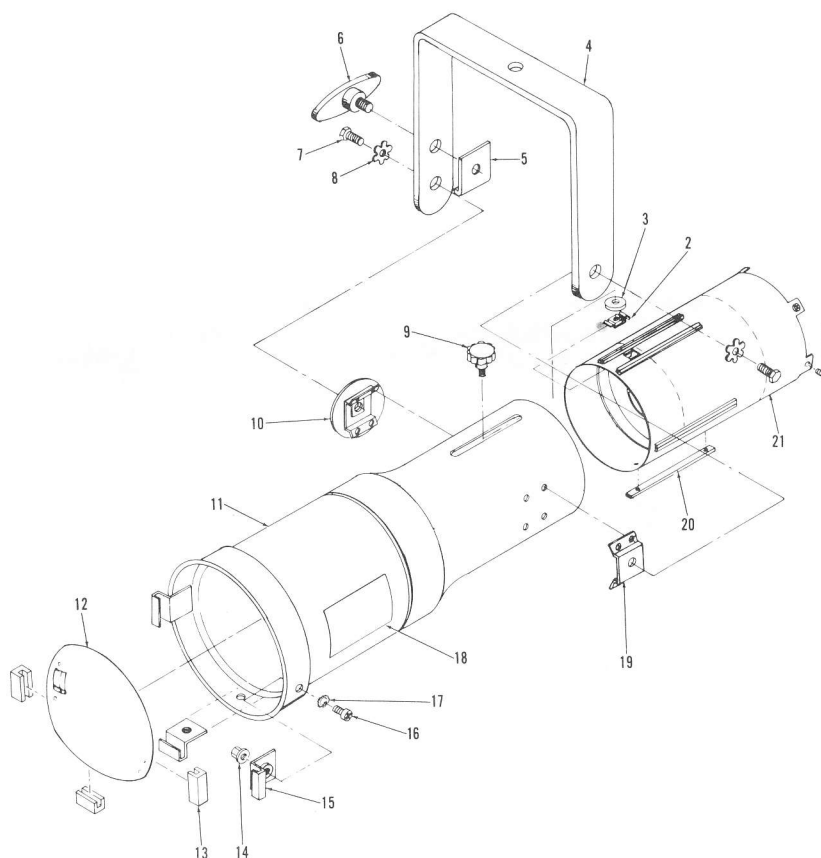
2. Remove three screws (16), nuts (14), and washers (17) securing gel frame clips (15) to sleeve (11). NOTE POSITION OF LENS MOUNTS (13).

3. Remove lens (12).

4. Install lens in sleeve (11). (VERIFY POSITION OF LENS MOUNTS) and secure with gel frame clips, screws, washers, and nuts.

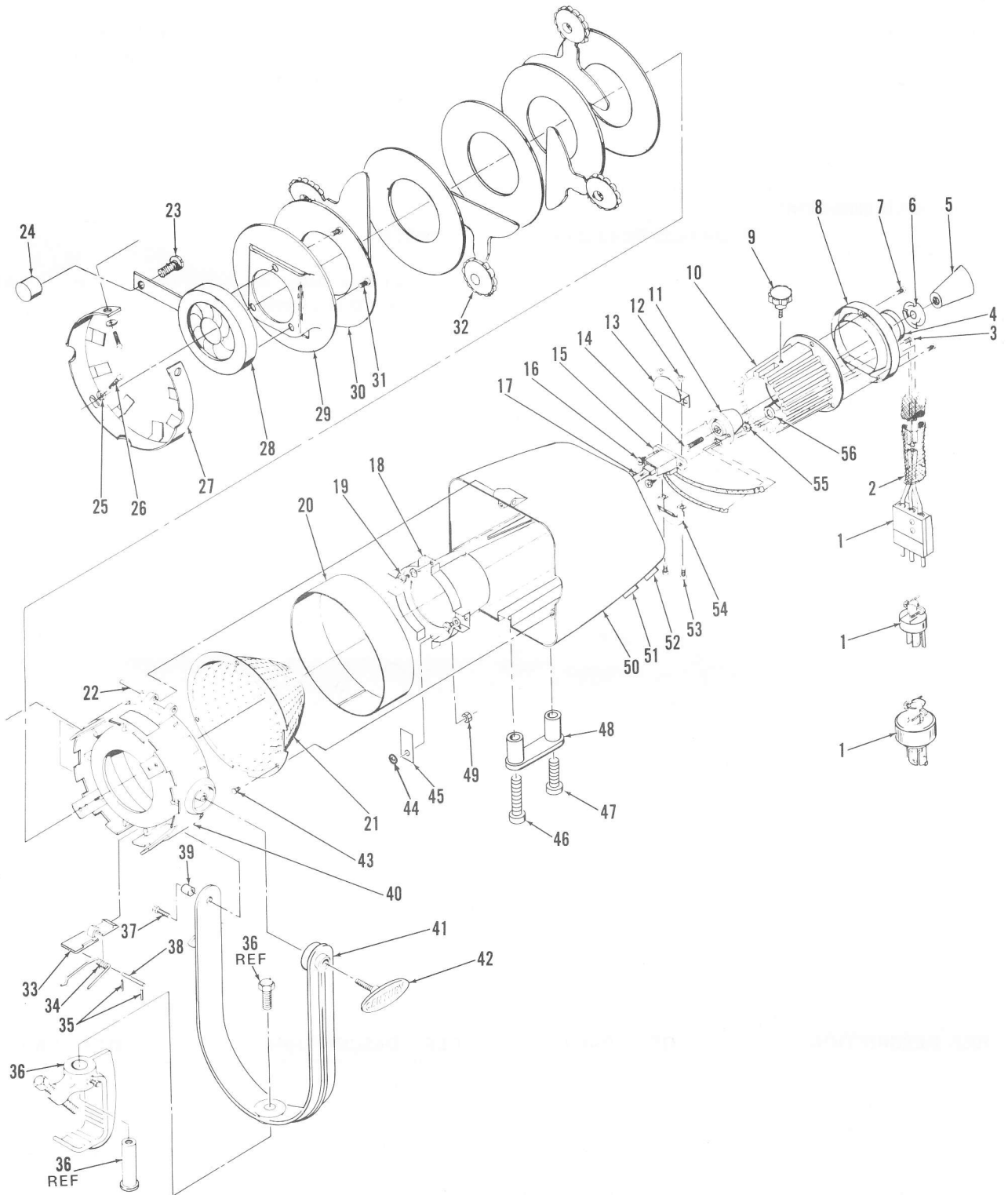
INSTALL LENS SLEEVE

Install lens sleeve on lens shroud and secure with nylon washer (3) and knob (5).



REF	DESCRIPTION	QTY	PART NO.	REF	DESCRIPTION	QTY	PART NO.
1	Screw, PHMS, Selftap "T"	4	0-080044	12	Lens, Plano Convex, 10 x 23	1	1-270513-000
2	Nut, Floating, 10-24	1	1-390003-000	13	Mount, Lens, Silicone	3	6-259001-010
3	Washer, Nylon	1	1-290107-000	14	Nut, Cap, 10-32	3	0-100030
4	Yoke	1	11221	15	Clip, Gel Frame	3	11227-10
5	Yoke Locking Dog	1	6-290004-010	16	Screw, THMS, 10-32 x 1/2	3	0-100046
6	Tee Handle, 1/4-20	1	6-187001-020	17	Washer, Lock, Ext. Tooth No. 10	3	0-100004
7	Bolt, Hex Hd, 1/4-20 x 5/8	2	0-140038	18	Label, Strand Century Logo	2	10351-20
8	Washer, Spring, 5/16	2	1-290058-000	19	Mount, Yoke, Right Side	1	11224-10
9	Knob, Lens Focus, Phenolic	1	1-256053-000	20	Guide, Card, Lens Shroud	5	1-193080-000
10	Mount, Yoke, Left Side	1	11226-10	21	Shroud, Lens, 10"	1	11228
11	Sleeve, Lens, 10"	1	11218-10				

LEKOLITE MAIN ASSEMBLY EXPLODED VIEW



LEKOLITE MAIN ASSEMBLY PARTS LIST

REF	DESCRIPTION	QTY	PART NO.	REF	DESCRIPTION	QTY	PART NO.
1	Connector, Twistlock, 3-pole, 20A	1	1-226028-000	30	Disk, Shutter	5	10063
1	Connector, Parallel Blade, U-ground, 3-pole, 15A	1	1-226006-000	31	Screw, MS, Truss Head, 4-40 x 1/8	3	0-040029
1	Connector, Pin, 3-pole, 20A	1	1-225007-00	32	Blade, Shutter	4	10057-10
2	Tubing, Black, 3/8 in. dia x 36-3/4 in. long	1	1-93082-000	33	Latch, End-Bell	1	6-326009-010
3	Screw, RHMS, 4-40 x 3/8	1	0-040023	34	Spring, Latch, End-Bell	1	6-341007-010
4	Washer, Focus Knob	1	10061	35	Pin, Roll, 3/16 x 1	2	1-291004-000
5	Knob, Lamp Centering, Davies 3260, 1/4-20 Thread	1	1-256052-000	36	C-Clamp, 2", w/Mounting Stud and Bolt	1	1555
6	Washer, Spring, SSW-139-S-10	1	1-290102-000	37	Bolt, HHMS, 1/4-20 x 1, used w/all Cat. No. except 2123, 2124	1	0-14003
7	Screw, PHMS, Selftap "T", 6-32 x 3/8	3	0-60038	38	Pin, Roll, 1/8 x 1	1	1-291010-000
8	Insulator, Handle	1	10053	39	Spacer, Brass, used w/all Cat. No. except 2123, 2124	1	6-340014-010
9	Knob, Focus, Phenolic	1	10081	40	Housing, Center Body	1	6-191014-010
10	Housing, Lamp Socket	1	10051	41	Yoke, used w/all Cat. No. except 2123, 2124	1	6-380008-010
11	Mount, Socket	1	10052	42	Tee Handle, 1/4-20, used w/all Cat. No. except 2123, 2124	1	6-187005-010
12	Nut, Hex, "KEPS", 6-32	2	0-060054	43	Screw, PHMS, Selftap "T" 6-32 x 5/16	3	0-060053
13	Heatsink, Left Side	1	11237	44	Washer, Flat No. 8	1	0-080045
14	Bolt, HHMS, 1/4-20 x 2	1	0-140037	45	Baffle, Light	1	11240
15	Socket, with leads	1	3-349003-010	46	Screw, RHMS, 10-24 x 1-1/2	1	0-100039
16	Screw, PHMS, Selftap "T", 8-32 x 5/8	2	0-080043	47	Screw, RHMS, 10-24 x 2	1	0-100037
17	Lamp, 500W, 200 hrs, 3200°K		EHC/EHB	48	Handle, Phenolic, Davies 5415A	1	1-187016-000
	Lamp, 500W, 2,000 hrs, 3000°K		EHD	49	Nut, Hex, "KEPS", 10-24	2	0-100038
	Lamp, 750W, 300 hrs, 3200°K		EHF	50	Housing, Rear Body	1	10054
	Lamp, 750W, 2,000 hrs, 3000°K		EHG	51	Label, Disconnect	1	11239
	Lamp, 1000W, 300 hrs, 3200°K		FEL	52	Label, Identification		
18	Bell-End Casting	1	10055		Cat. No.		
19	Screw, PHMS, Selftap "T" 6-32 x 3/8	4	0-060068	2111		1	6-325027-010
20	Baffle, Light	1	10062	2112		1	6-325028-010
21	Reflector	1	10059	2113		1	6-325029-010
22	Pin, Roll, 3/16 x 1	1	1-291001-000	2114		1	6-325029-010
23	Screw, MS, Binder Head, Black oxide, 8-32 x 7/16, Used w/Cat. No. 2111, 2114, 2124, 2213, 2217	1	0-080050	2123		1	6-325032-010
24	Knob, Iris, used w/Cat. No. 2111, 2114, 2124, 2213, 2217	1	1-256028-000	2124		1	6-325032-010
25	Washer, Flat, No. 8	4	0-080045	2204		1	6-325034-010
26	Screw, PHMS, Selftap "T" 8-32 x 1/4	4	0-080044	2209		1	6-325034-010
27	Retainer, Shutter Blade	1	10060	2212		1	6-325034-010
28	Iris Assembly, Used w/Cat. No. 2111, 2114, 2124, 2213, 2217	1	11231	2213		1	6-325031-010
29	Disk, Shutter, w/Pattern Pocket, w/o Iris Mounting Holes, used w/Cat. No. 2112, 2113, 2123, 2204, 2209, 2212, 2216	1	6-293052-010	2216		1	6-325034-010
29	Disk, Shutter, w/Pattern Pocket, w/Iris Mounting Holes, used w/Cat. No. 2111, 2114, 2124, 2213, 2217	1	6-293052-020	2217		1	6-325036-010
				53	Screw, PHMS, 6-32 x 1/8	2	0-060052
				54	Heatsink, Right Side	1	11236
				55	Nut, Hex, "KEPS" 4-40	1	0-040025
				56	Wire, 14 AWG, SF-2, Wht, 40" Lg.	1	10069

NOTES

LEKOLITE® SPOTLIGHTS

500/750W/1000W UNITS

Catalog Number	Description	1/10 Peak Angle
2204	2 - 4½" x 6½" (114mm x 165mm) P.C. lenses	65°
2209	2 - 6" x 9" (152mm x 229mm) P.C. lenses	43°
2212	2 - 6" x 12" (152mm x 305mm) P.C. lenses	31°
2213	As above (2212) plus iris	31°
2216	2 - 6" x 16" (152mm x 406mm) P.C. lenses	23°
2217	As above (2216) plus iris	23°
2112	1 - 6" x 12" (152mm x 305mm) P.C. lens	15°
2111	As above (2112) plus iris	15°
2113	1 - 8" x 13" (203mm x 330mm) P.C. lens	13°
2114	As above (2113) plus iris	13°
2123	1 - 10" x 23" (254mm x 584mm) P.C. lens	9°
2124	As above (2123) plus iris	9°

Accessories	
1108	Color frame for 2204 and 6" units
1110	Color frame for 8" units
1112	Color frame for 10" units
1332	High hat for 4½" and 6" units
1333	High hat for 8" units
1336	High hat for 10" units
1342	Pattern holder
1352	Set of 6 patterns
1354	Iris kit

LAMP DATA

Catalog Number	Lamps	
EHC/EHB	500W	200 hrs.
EHD	500W	2000 hrs., 3000°K
EHF	750W	300 hrs.
EHG	750W	2000 hrs., 3000°K
FEL	1000W	300 hrs.
FKR	650W	300 hrs. 3100°K
CP77	1000W	300 hrs. 220 or 240V

Copyright © 1982
Strand Century
All Rights Reserved

PART NUMBER
6-450010-010

Revision 1
February 1985



STRAND CENTURY

A Subsidiary of Rank America Inc.

Strand Century Inc. 18111 South Santa Fe Avenue, P.O. Box 9004, Rancho Dominguez, California 90224 Tel: (213) 637-7500, Telex: 664741
Strand Century Inc. 20 Bushes Lane, Elmwood Park, New Jersey 07407 Tel: (201) 791-7000, Telex: 130322
Strand Century Company, Ltd. 6490 Viscount Road, Mississauga, Ontario, Canada L4V1H3 Tel: (416) 677-7130, Telex: 06968646