

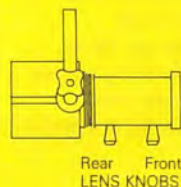
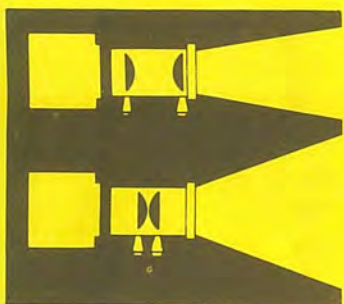
LUMINAIRE MAXIMUM SURFACE TEMPERATURE (MST)

Maximum at Steady State 150°C t_a 45°C

FOCUSSING & LAMP ADJUSTMENT

With the exception of Z000T and Z000V the lens system allows **variable** (zoom) beam spread and this should be used to set the required beam size before trimming with shutters or iris.

- With shutters/iris fully open slacken lens knobs and slide adjust to maximum acceptable beam size/hardness. (Front lens determines beam angle and rear lens hard or soft focus). Tighten lens knobs (With a new lamp, socket trim screws should be adjusted to centralise filament).
- By means of shutters/iris adjust gate size as required.
- If a Gobo is being projected, lenses and shutters can be trimmed for image size and definition. (see also d.)
- Trim lens and reflector settings for optimum performance* by adjusting control knobs. Ensure they are fully finger tightened when setting has been completed.
 - Peaky or flat field
 - Minimum/maximum brightness
 - Soft/hard focus



WARNING

3.5m
Minimum distance from lighted object with 10° lens (worst situation)

FAULT FINDING

Symptom	Possible Fault	Cure
No light	No Lamp Faulty Lamp No Power Shutters Fully in Lamp chassis not seated	Fit Lamp Fit new lamp Check supply and spotlight cable Extend shutters Remove and re-insert
Uneven Light	Lamp Adjustment knob moved Lamp not fully seated in holder Reflector setting	Check lamp adjustment Check lamp in lampholder, observing safety precautions Check

MAINTENANCE

Remove lamp chassis observing safety precautions. Clean the reflector through the front of the lamphouse with the tube removed using a slightly damp cloth to which a little detergent has been added.

Lenses should be cleaned with a damp cloth only.

Periodic inspection should be carried out of the plug-in lamp tray and cable. Any components showing wear or damage should be replaced immediately.

Contact your CCT representative for list of spare parts available.

CAUTION

Damaged lenses or UV Safety Screens where used **MUST** be replaced before luminaire is used.

Maintenance and Inspection

- When replacing or adjusting a lamp, the product, with particular attention to all internal and external wiring, should be inspected and any faults corrected.
- At least once every twelve months the product, if portable, should be bench inspected for electrical and mechanical wear and damage. If not portable this inspection should be carried out in situ.
- Depending upon usage, internal and external wiring will deteriorate in time and should be replaced at the first indication of wear or aging.
- Product can be returned to any CCT service representative for repair and/or maintenance. Spare and replacement parts can be supplied for use by other competent service technicians available to the user.

ACCESSORIES

- ZS039 Fast Fit Lamphouse accessory
- ZS040 Fast Fit Lens tube accessory
- ZS041 Fast Fit 'X' tube accessory
- Z0016 Drop-in Iris
- Z0017N Bolt in Iris/Blackout
- Z0120 Roto Gobo Holder
- Z0121 Standard Gobo Holder
- Z0013 Extra Colour Filter Frame for Z000N/P LensTubes
- Z0014 Extra Colour Filter Frame for Z000Q/R/T/ Lens Tubes
- Z0015 Extra Colour Filter Frame for Z000S/V Lens Tubes
- Z0083 Hook Clamp
- Z0085 Safety Chain
- Y0057 Spigot

For complete details of Colour Change accessories suitable for the Silhouette Range see Colour Change Data Sheet.

CCT lighting

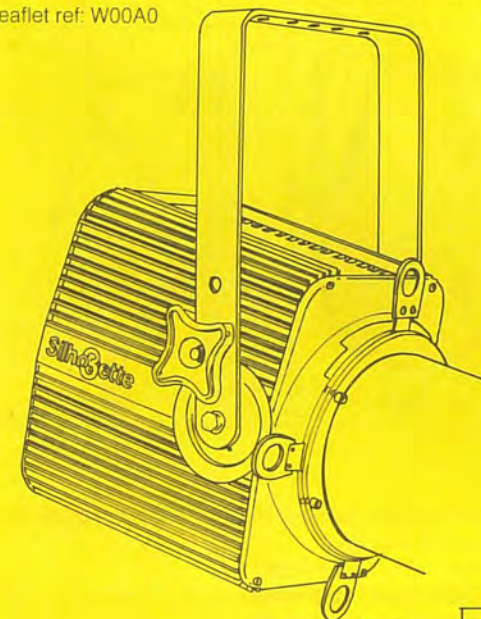
WINDSOR HOUSE, 26 WILLOW LANE, MITCHAM,
SURREY, CR4 4NA. UK. TEL: 01-640 3366
TELEX: 946648 FAX UK: 01-648 5263 FAX INT: 441-648 5263

CCT lighting

USER INFORMATION

Leaflet ref: W00A0

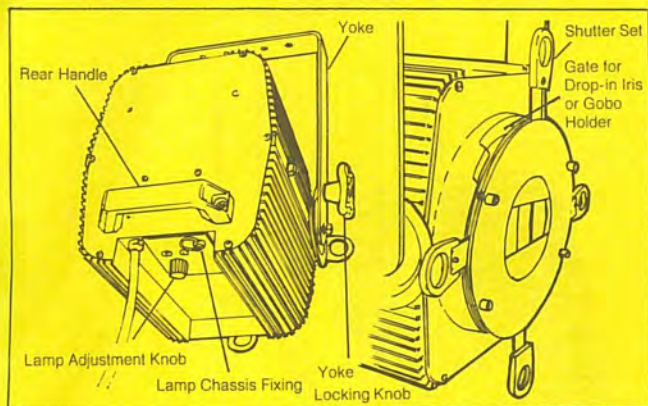
JANUARY 1989



Silhouette Zoom
Profile Spotlight
Base Down Lamp
1000/1200W
Z00A0
/N/P/Q/X/S/T/V
220/240V ONLY

WARNING — BEFORE USE:-

- Read these instructions
- Inspect product for damage upon removal from its carton.
- Ensure that external supply wiring and socket (if to be used) is properly installed and protected.



LAMPHOUSE

The Silhouette Z00A0 base down lamp 1000/1200W lamphouse is part of a range which includes:-

- Z00F0 1000W Axial lamp Lamphouse
- Z00B0 2000W Base Down Lamphouse
- Z00D0 2500W Base Down Lamphouse

Each lamphouse is fitted as standard with four blade stainless steel shutter set and Iris/Gobo gate.

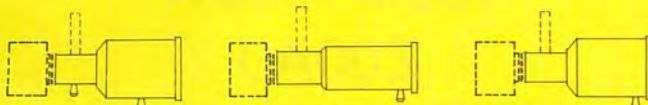
Each lamphouse can be used with any Silhouette lens tube from the following:

BEAM TILT ANGLE 90° - 0 - 75°

LENS TUBES



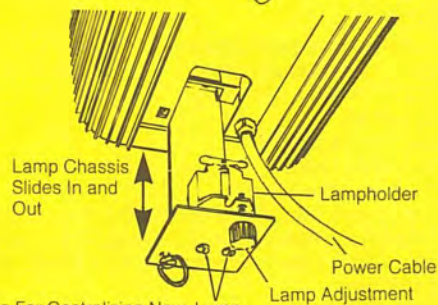
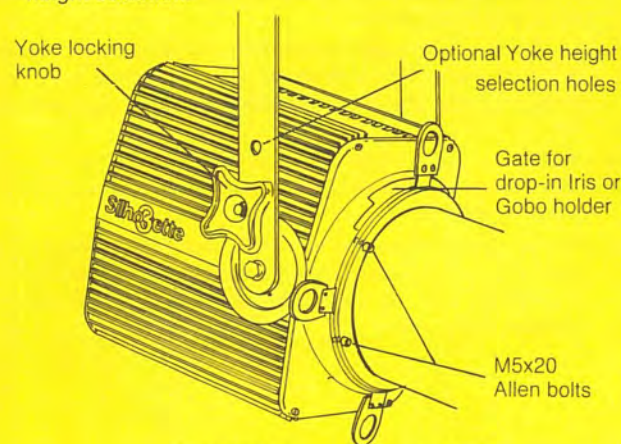
- Z000N 40 31°-47° Zoom
- Z000P 30 19°-40° Zoom
- Z000X 15-32 15°-32° Zoom
- Z000Q 15 13°-23° Zoom



- Z000S 10 9°-21° Zoom
- Z000T 8 8° Non-Zoom
- Z000V 5 5° Non-Zoom

FITTING LENS TUBE

- Select desired tube.
- Decide whether lens knob/s are to be above or below tube when in use.
- Attach tube to lamphouse with 4 off M5x20 Allen bolts and key provided.
- Decide whether front colour frame/accessory cassette is to be arranged for top or side entry. Adjust as necessary with 4 off M5x8 screws holding cassette to lens tube.
- Suspension Yoke should be attached:-
 - With Z000N, Z000P and Z000X Tubes to the lamphouse.
 - With other tubes directly to the tube via support bracket.
 - Select for best balance. Note that Yoke has optional holes for height selection.

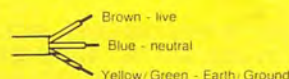


Trim Screws For Centralizing New Lamp

The Z00017N Iris Blackout, when used, is located behind shutter set.

FITTING PLUG

A suitable plug of at least 5A rating should be fitted to the spotlight power cable, observing the connection colour-code (220/240v) as follows:-



LAMP FITTING

SUITABLE LAMPS - Base **MUST** be GX9.5
100W T11/T19 or equivalent

Damaged or thermally deformed lamps **MUST NOT** be used. Lamp manufacturers instructions must be followed at all times.

WARNING

NEVER attempt to insert a lamp with the spotlight connected to a dimmer circuit or to mains. Before opening spotlight, UNPLUG the power cable. Failure to observe this precaution MAY RESULT IN SEVERE BURNS.

Do not touch the lamp surface - use the disposable glove or shield provided with the new lamp when fitting it into the lampholder. When changing a recently failed lamp, allow time for the lamp to cool before removing it from the spotlight.

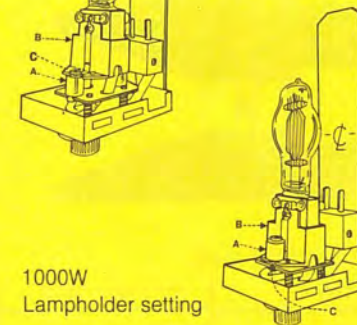
When supplied the lampholder is set for use with a 1000W lamp. In order to re-set for 1200 Watt lamp adjust as follows:-

Remove screws and spacers (a). Lift lampholder (b). Re-fit lampholder fixing screws with spacers below lampholder fixing slots (c).



1200W Lampholder setting

Note that rear lampray slide is engraved with centre line. Always ensure that centre of lamp filament to be used coincides with this mark. If it does not, reset lampholder as instructed above.



1000W Lampholder setting

MOUNTING METHODS

