



Strand Lighting

P R O D U C T D A T A

Cantata Followspot

Variable angle zoom profile followspot with 11° - 26° beam angle. With blackout iris, and spigot for stand mounting. Requires lamp and plug.

W 1200W V 230/240V < 11° - 26° 13.5kg
* 1150 Lux < 15m % 185 x 185mm 18.6kg
0.161m³ ✓ EN60 598 2-17

Cat. No. Description

16010 Cantata Followspot, exclusive lamp & plug

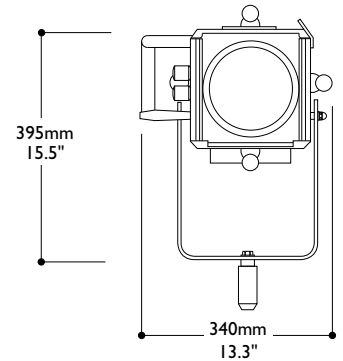
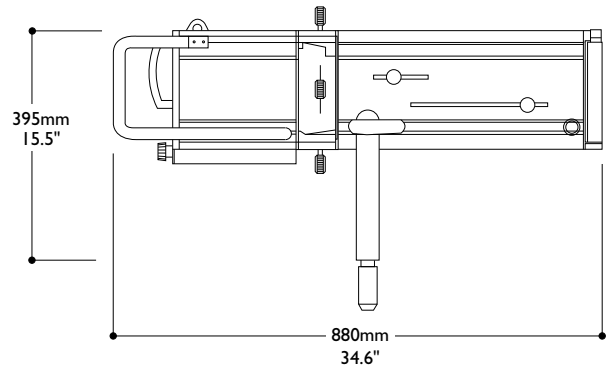
Cantata Followspot Accessories

Cat. No. Description

41294	T29, 1200W 240V lamp
41293	T29, 1200W 230V lamp
41194	T19, 1000W 240V lamp
41193	T19, 1000W 230V lamp
18107	4-Colour Magazine
81100	Folding Braced Stand
18205	Set of aiming sights
18104	Additional colour frame, metal

1.5.1 FOLLOWSPOTS

CANTATA™ FOLLOWSPOT 1200W



- Compact 1200W tungsten halogen followspot
- Ideal for smaller venues, school stages, clubs
- Variable beam angle 11° to 26° suits different throw distances
- Can also use 1000W T19 lamp
- Access for lens cleaning
- New improved lens movement
- 4-colour magazine accessory option
- Supplied with colour frame, 24-leaf iris with black-out, 29mm spigot for stand mounting, and 3m detachable power cable with in-line switch to open ends. Requires lamp and plug

A GUIDE TO SYMBOLS AND ABBREVIATIONS

W Supply voltage A Current rating in amps 13.5kg Weight of product 18.6kg Overall dimension of product 185 x 185mm Packed weight 0.161m³ Packed volume ✓ Compliance with safety standards. W Watts (maximum recommended) < Beam angle < 15m Throw (usual working distance from subject in metres). * Illuminance (maximum lux at throw distance stated with lamp recommended) % Colour filter frame size BS British Standard

Photometric Data

Typical performance based on 1200W T29 240V lamp

Peak Distribution**Cantata Followspot**

Throw (metres)	7.5	10	15	20
Narrow		2587	1150	650
Wide	2300	1295	575	

Narrow: For performance at any distance divide 254800 by Distance²Wide: For performance at any distance divide 129500 by Distance²**Peak Intensity, Half Peak and Cut-off**

	1/2 Pk (Peaky)	Candelas (Peaky)	1/2 Pk (Flat)	Candelas (Flat)	Cut-off
Cantata FS (N)	7.0°	254800	11.0°	161750	11.0°
Cantata FS (W)	10.0°	129500	24.5°	47000	26.0°

Lamp Data

Specify Strand lamps for replacement purposes to the following specifications

Volts	230V	240V
Watts	1200W	1200W
Designation	T29	T29
Base	GX 9.5	GX 9.5
Lumens	29000	29000
Rated Life-Hours	400	400
Colour Temp	3050K	3050K
Cat. No.	41293	41294

Electrical Data

Supply Voltage	230/240V 50/60Hz.
Max Lamp Wattage	1200W.
Lamp Type/Base	See lamp data.
Cable/Connection	3.0 metres of 3 x 1.5mm ² cable with in-line switch. Terminated at one end with CE22 angled connector to luminaire.
Standards Compliance	Designed to conform to EN 60-598 2-17.

Environmental Data

Max Operating Ambient Temp	45°C (113°F).
Maximum Surface Temperature	240°C (464°F).
IP Rating	IP20.
Tilt/Recommended angles of use	45° - 0 - 75°.

**Strand Lighting**

London: Strand Lighting Ltd, Grant Way, Isleworth, Middlesex, TW7 5QD, United Kingdom.
Tel: +44 (0)181 560 3171 Fax: +44 (0)181 568 2103

Wolfenbüttel: Strand Lighting GmbH, Salzbergstraße 2, 38302 Wolfenbüttel, Germany.
Tel: +49 (0) 5331 3008-8 Fax: +49 (0) 5331 78883

Rome: Strand Lighting Srl, Via delle Gardenie 33, Pontina Vecchia Km 33,400, 00040 Pomezia-Roma, Italy
Tel: +39 (0) 6 914 7123 Fax: +39 (0) 6 914 7136

Brussels: Strand Lighting Ltd, Chaussée de Haecht 1801, 1130 Bruxelles, Belgium
Tel: +32 (0) 2 245 8686 Fax: +32 (0) 2 245 2235

Stockholm: Strand Lighting Ltd, Box 20105, Tappvägen 24, 161 02 Bromma, Sweden
Tel: +46 (0) 8 799 6950 Fax: +46 (0) 8 799 6954

ALSO

FACILITIES IN: **LOS ANGELES • NEW YORK • HONG KONG • MILANO • MUNICH • BERLIN**

© Copyright Strand Lighting Limited November 1995

Mechanical Data

Paint/Finish	High temperature stoved epoxy powder coat in black.
Lamp House Construction	Extruded aluminium sides with pressure diecast aluminium ends and pressed steel gate bulkheads joined with machine thread screws. Ventilation is provided by light baffled top and bottom panels of extruded aluminium and pressed steel.
Gate Assembly	Built-in, side operated 24-leaf iris diaphragm with black-out disk and four beam shaping shutters.
Mounting and Suspension	Aluminium alloy fork (fitted with 29mm spigot for stand mounting and with friction washer to interlocking cup and disk clamping arrangement for tilt adjustment and locking). Tilt pivot axis position is adjustable laterally for optimum balance.
Handles	A heat insulated tubular steel handle is fitted to the right side of the lamphouse along with an insulated plastic handle at the front of the lens tube. Both can be refitted to the other side for left-handed operation.

Weights and Dimensions

Luminaire	Cantata	Colour Magazine
Weight	14.0kg (30.8lb)	1.5kg (3.3lb)
Length	880mm (34.64")	135mm (5.31")
Width	340mm (13.38")	245mm (10.0")
Height	395mm (15.55")	215mm (8.46")

Packed Dimensions

Weight	15.5kg (34.1lb)	2.0kg (4.4lb)
Length	1010mm (39.76")	190mm (7.48")
Width	460mm (18.11")	350mm (13.77")
Height	480mm (18.8")	310mm (12.2")

Filter Cut Size	185 x 185mm
Colour Runner	185mm ² DIN standard metal colour frame (supplied) fits integral diecast runners with retention spring catch.

Optical System

Lenses	Variable spread combination of borosilicate glass lenses - 178mm diameter at front, 120mm diameter at rear; mounted in pressed steel mounts via aluminium sliders into the aluminium extruded side panels.
Reflector	150mm near ellipsoidal reflector of polished and anodised aluminium.

Operational Data

Lamp & Reflector Access	Hinge down lamp tray which is mechanically interlocked with power input connector to prevent access to live lampholder.
Lens Access	Sliding top access panels.
Focus Adjustment	Twist lockable sliding knobs.
Field Adjustment	Peaky to flat field adjustment is by rotary knob on rear panel.
Lamp Alignment	Lamp is centred by means of a screwdriver adjustment at the rear of the lamphouse.
Beam Shaping	See Gate Assembly.
Tilt	Adjustment by means of pivots on either side of fork, locking handles on interlocking spring cup and disk mechanism.
Pan	Pivot around M12 bolt through centre of fork.

The Company reserves the right to make any variation in design or construction to the equipment described. © Strand Lighting Ltd 1995. Strand™, Strand Lighting™ and Cantata™ are trade marks of Strand Lighting Limited. Strand Lighting is a company within the Film & Television Division of The Rank Organisation Plc, United Kingdom. Country of origin United Kingdom.