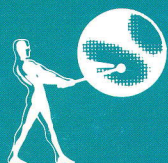


CANTATA

A Family of Theatrical Luminaires



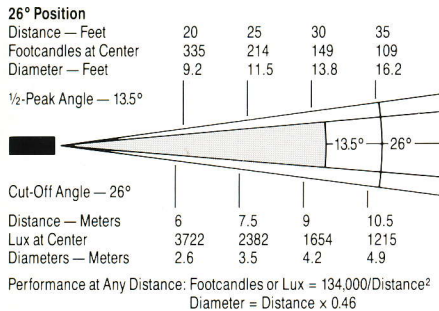
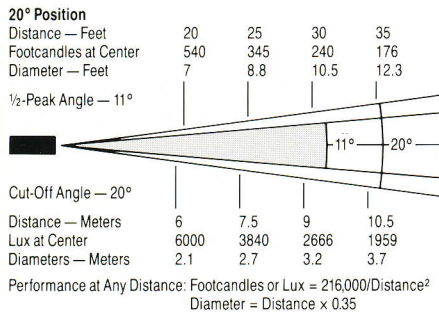
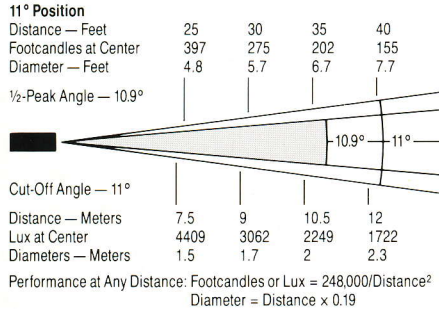
Strand Lighting

Cantata 1000 Watt Spotlights

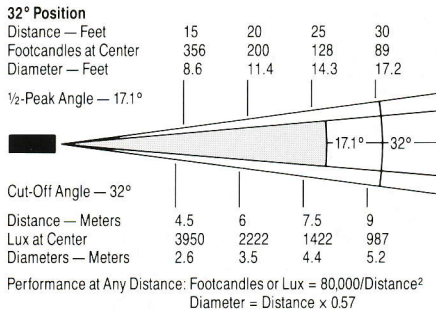
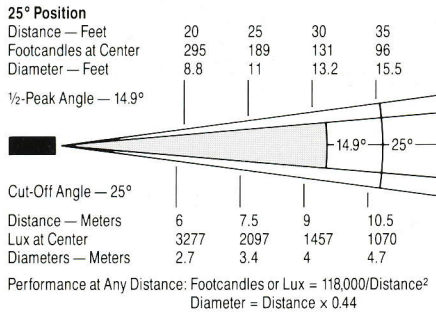
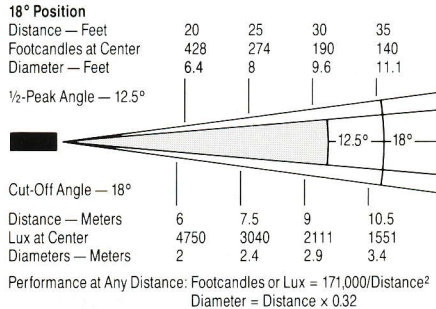
Variable Focus 11°–26°,
18°–32° and 26°–44°

Now, in the tradition of the finest European theatrical spotlights, Strand Lighting brings Cantata to North America. Cantata has been designed to take full advantage of the high performance offered by axial reflector and compact lamp combinations. Cantata utilizes a common lamp housing with a choice of three zoom lens tubes, providing zoom coverage from a narrow 11° to a wide 44°. Lens tubes have been designed to be exchanged with an easy-to-use bayonet mount. A fully removable lampholder enables lamp changes without changing field adjustments. The adjustable yoke can be located almost anywhere along the length of the fixture, providing complete flexibility for tight or unusual mounting positions. The shutter and pattern holder mounting rotate through 360°, to provide unparalleled versatility. Color frame, integral wireguard and cast iron C-clamp are provided standard.

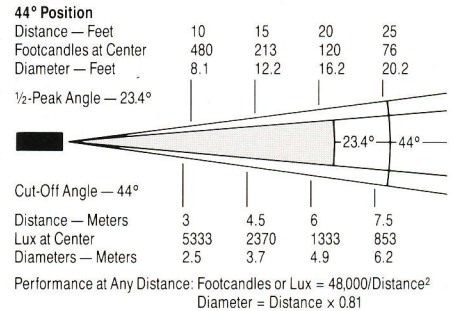
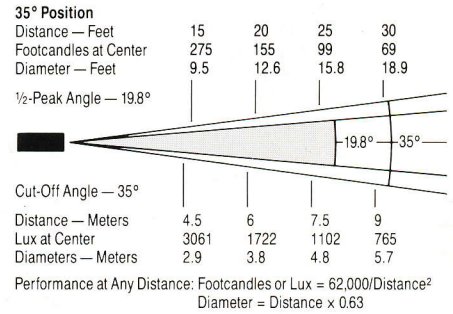
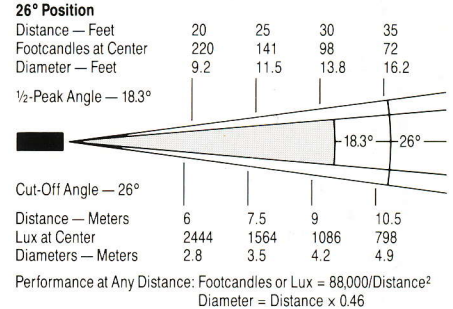
Variable Focus 11°–26°



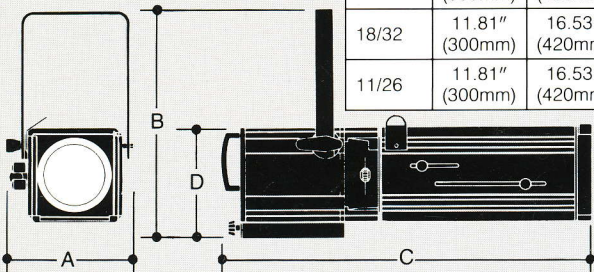
Variable Focus 18°–32°



Variable Focus 26°–44°



Dimensions:



Cantata	A	B	C	D	Weight
26/44	11.81" (300mm)	16.53" (420mm)	26.26" (667mm)	9.48" (240mm)	24.2 lb. (11.00 kg)
18/32	11.81" (300mm)	16.53" (420mm)	30.39" (772mm)	9.48" (240mm)	26.4 lb. (12.00 kg)
11/26	11.81" (300mm)	16.53" (420mm)	36.1" (917mm)	9.48" (240mm)	28.16 lb. (12.8 kg)

Spotlights:

- 2271 11/26 Axial Cantata
- 2272 18/32 Axial Cantata
- 2273 26/44 Axial Cantata

Accessories:

- 1357 18-Leaf Diaphragm
- 1340 Pattern Holder
- 1108 Color Frame

Lamp:

FEL 1000W 300 hrs. 3200°K 120V
Also accepts EHC/EHB, EHD, EHF, EHG



Strand Lighting

A SUBSIDIARY OF THE RANK ORGANISATION

Los Angeles — 18111 South Santa Fe Avenue, P.O. Box 9004, Rancho Dominguez, California 90224 Telephone: (213) 637-7500, FAX (213) 632-5519

Toronto — 6490 Viscount Road, Mississauga, Ontario, Canada L4V 1H3 Telephone: (416) 677-7130, FAX (416) 677-6859

Facilities in New York, London, Paris, West Germany, Rome, Hong Kong and Melbourne

We reserve the right to change or improve the specifications without prior notification.

© Strand Lighting Inc. 1989 2.5M 3/89