

BAMBINO 650 W

Quartz Halogen Fresnel

Preliminary data sheet

- Improved light quality and output, producing a flatter and more even field
- High quality, rugged, durable
- Corrosion resistant for longer life
- Compatibility of parts throughout the range
- A comprehensive range of accessories, interchangeable with existing Quartzcolor products
- Easy to service and maintain
- Bonding eyes and rigging hooks on larger units
- Front and back focusing on larger units
- New worm drive mechanism for precise focusing
- New easy running barndoors ears on larger units
- Scratch resistant black non-reflective housing
- BAMBINO 650 W is also available as a kit
- CE mark, c UL us listed



Operational data

Safety:

25 x 25 mm wire mesh guard.

Accessory fitting:

Stainless steel ears.
Spring loaded top catch for retention of accessories.

Tilt adjustment:

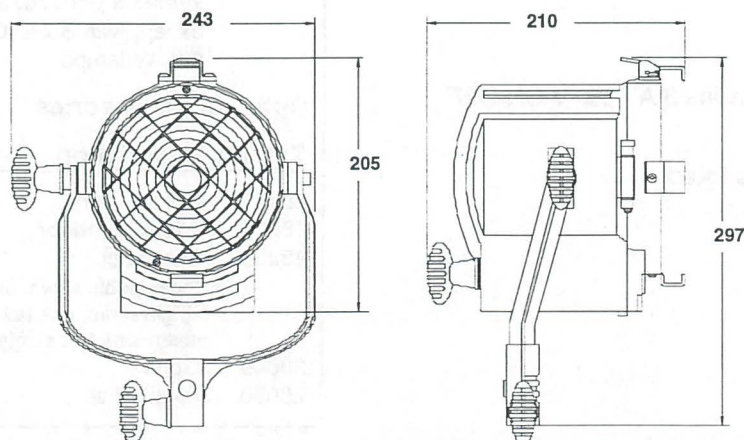
Pivot located at centre of gravity for excellent balance and positive locking.

Focus adjustment:

Rear focusing knob for smooth and precise action from spot to flood positions

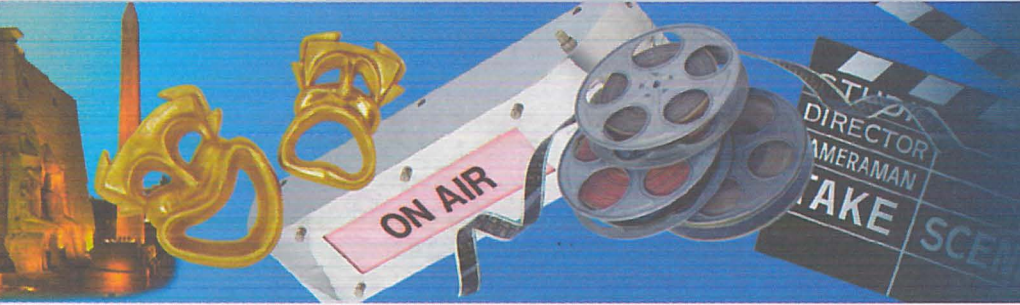
Lamp access:

Hinged lens door allows easy access for lamp replacement.



Weights & dimensions

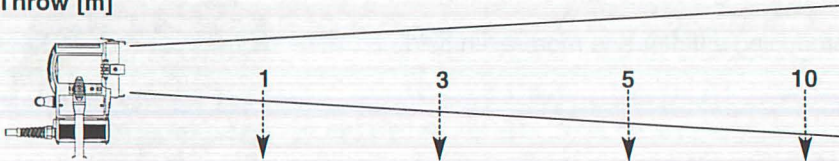
Lens diameter	130 mm	Weight (head + stirrup)	3.5 kg
Accessory diameter	170 mm	Packed weight	4.5 kg
Filter cut size	150x150 mm	Packed volume	380x280x370 mm



Photometric data

Typical performance based on CP 89 - 650 W lamp:

Throw [m]



	Lux	φ [m]	Lux	φ [m]	Lux	φ [m]	Lux	φ [m]
SPOT (10.2°)	70,000	0.18	7,780	0.53	2,800	0.9	700	1.8
FLOOD (50.3°)	12,000	0.9	1,330	2.8	480	4.7	120	9.4

Mechanical data

Paint / Finish: Powder coated epoxy paint with special extra high temperature treatment in critical areas. External textured low gloss finish

Lamp house Die cast aluminium

Mounting: Die cast aluminium stirrup with BS or standard DIN socket

Environmental Data

Max operating ambient temperature: 45°C

IP Rating: IP 20

Tilt recommended angle of use: -90° / 0 / 90°

Electrical data

Cable / Switching: 4 m 3 x 1.5 mm² with in-line 8 A / 250 V ON-OFF toggle switch

Standards compliance: CE mark, c UL us listed

Lamp data

Lamp code CP89 - 650 W

LCL (mm) 46

Base GY9.5

Lumens 16250

Rated life hours (H) 150

Colour temp. (K) 3200

Ordering information

Cat No Description

- 27630 Bambino 650 W M.O.** supplied with stirrup, colour frame, 4 leaf rotating barndoor
- 27633** as above + 230 V lamp
- 27634** as above + 240 V lamp
- 27673 Bambino 650 W (230 V) kit includes:**
3 x heads + stirrup
3 x colour frames
3 x 4 leaf barndoor
1 x set of scrims
3 x stands
3 x 230 V - 650 W lamps
1 x flight case
- 27674 Bambino 650 W (240 V) kit :**
same as p/n 27673 except with 3 x 240 V - 650 W lamps

Optional Accessories

Cat. No Description

- 28047** Colour frame
- 28048** 4 leaf barndoor
- 28309** Scrim set
(one double scrim, one single scrim, one half double scrim, one half single scrim)
- 28049** Cone
- 28030** Flight case

The Company reserves the right to make any variation in design or construction to the equipment described. © Strand Lighting Ltd 1999. Strand™, Strand Lighting™, Strand Quartzcolor™ are trade marks of Strand Lighting Limited and Strand Lighting Inc.

Strand Lighting Ltd North Hyde House Hayes Rd Heston Middx UB2 5NL UK Tel: +44 (0)181 571 3588 Fax: +44 (0)181 571 3305
Strand Lighting GmbH Ullsteinstrasse 114-142 D-12109 Berlin Germany Tel: +49 (0) 30/70 79 51 0 Fax: +49 (0) 30/70 79 519 9
Strand Lighting Italia srl Via delle Gardenie 33 00040 Pomezia-Roma Italy Tel: +39 06 91963.1 Fax: +39 06 9147136
Strand Lighting Asia Ltd 7/F Corporation Square 8 Lam Lok Street Kowloon Bay Hong Kong Tel: +852 2757 3033 Fax: +852 2757 1767

LONDON - BERLIN - ROME - PARIS - MOSCOW - LOS ANGELES - NEW YORK - TORONTO - HONG KONG