

Bambino Fresnel Spotlight

6" (152mm) 2000W

- ◀ 6" lens offers excellent output in a compact size
- ◀ Head weighs only 13 pounds (5.9 kgs), the most portable 2KW Fresnel available today
- ◀ Handy in-line switch
- ◀ All steel welded construction and high-temperature silicone paint for strength and durability
- ◀ Unique spigot design allows head to fit into Junior (1 1/8") (28.6mm) stand or on Baby (5/8") (17mm) stand with no additional accessories
- ◀ Uses standard QuartzColor accessories and includes three-conductor wire for electrically safe location shooting
- ◀ "Cool Touch" T-handles and lamp focus adjustment knobs for fast, easy handling
- ◀ Excellent convection cooling for rated lamp life without light leaks

Specifications:

This unit shall be a 1000W, 2000W Fresnel spotlight to accommodate a tungsten-halogen mogul bipost lamp. The socket shall be mounted on an adjustable burner in front of a spherical, specular high purity aluminum reflector. The unit shall be provided with a heat resisting diameter 6" (152mm) Fresnel lens.

The entire enclosure shall be of steel with double-walled corrugated construction and baffles for heat dissipation.

The socket burner assembly shall be readily movable from spot to flood focus by means of an external handle for manual or remote pole operation, and shall be provided with a stop to prevent overtravel. The lamp focusing control on the unit shall be field adaptable for pole operation.

Lamp access shall be through the hinged front door which is provided with locking color/diffuser frame and four way barndoor holders with safety latch.

The unit shall be equipped with a malleable iron clamp to grip up to 2" (51mm) pipe, a yoke with locking disc and 39" (1m) three wire cable lead.

To specify unit for stand mounting, indicate #3302MP. The MP unit shall be equipped with 23' (7m) three-conductor cable. There shall be a unit mounted switch rated for 120/240 VAC or DC operation. The yoke shall be supplied with a one-piece combination 1 1/8" (28mm) male spigot-5/8" (16mm) receiver socket.

To specify the unit for pole operation, indicate #3302PO. The PO unit as above shall be supplied with special yoke for pole operation of Pan and Tilt functions.

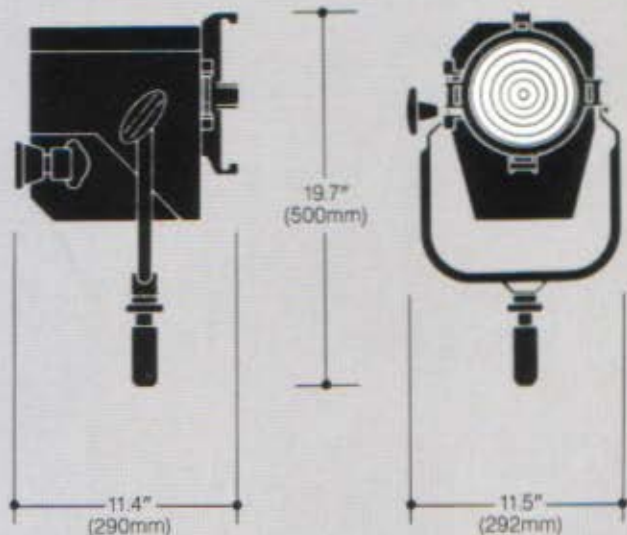
Exterior finish shall be black heat resisting enamel and the entire unit shall be U.L. listed. Weight: 13 lbs. (5.9kg).

This unit shall have a 11° to 61° variable 1/2-peak angle and a 20° to 72° variable 1/10-peak angle and shall produce 230 footcandles at 30' (2575 lux at 9m) maximum (Spot Focus) and 64 footcandles at 20' (720 lux at 6m) maximum (Flood Focus) using a CYX lamp.

QuartzColor 



Dimensions:



Weight: 13 lbs. (5.9kg)

Bambino Fresnel Spotlight

6" (152mm) 2000W

QuartzColor

Accessories:

Eight-way rotatable barndoor	1300
Color or diffuser frame	1144
Full double scrim	1201
Full single scrim	1202
Half double scrim	1203
Half single scrim	1204
2" (55mm) opening cone	1170
3" (75mm) opening cone	1171
4" (105mm) opening cone	1172

Performance Data:

Lamp: CYX, 2000W, 250 Hrs., 3200°K

½ Peak Angle — Beam spread where intensity drops to 50% of maximum.

⅓ Peak Angle — Beam spread where intensity drops to 10% of maximum.

Other Lamps: multiply intensity by M.F. below:

Lamp	Watts	M.F.	Life (Hrs.)	Color Temp. (°K)
CYV	1000	.47	200	3200
CXZ	1500	.65	325	3200
CP41 220/240V	2000	.92	400	3200

Spot Focus

Distance — Feet	20	25	30	35	40
Footcandles — at Center	520	330	230	170	128
Diameter — Feet	7	8.7	10.5	12.2	14

½-Peak Angle — 11°



⅓-Peak Angle — 20°

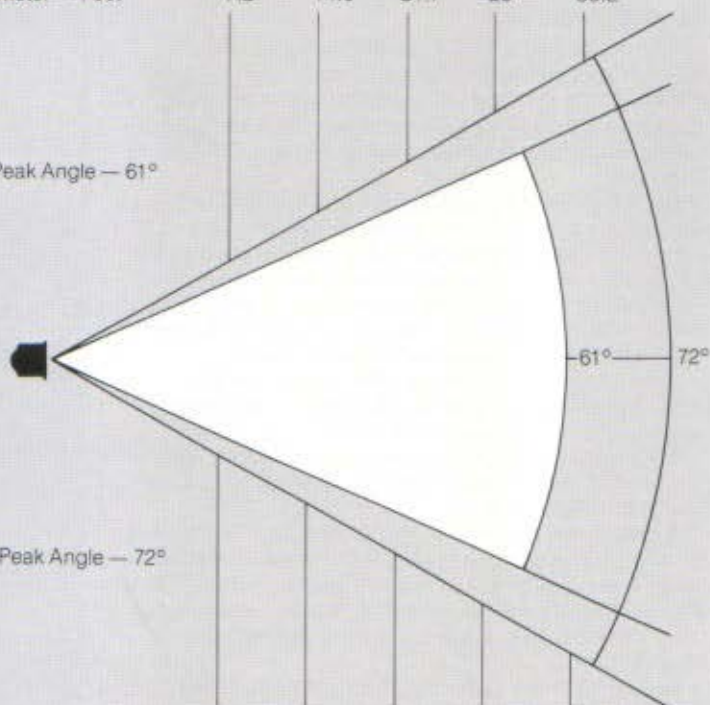
Distance — Meters	6	7.5	9	10.5	12
Lux — at Center	5805	3715	2575	1895	1450
Diameter — Meters	2.1	2.6	3.1	3.7	4.2

Performance at Any Distance: Footcandles or Lux = 209,000/Distance²
Diameter = Distance x .35

Flood Focus

Distance — Feet	5	10	15	20	25
Footcandles — at Center	1040	260	115	64	40
Diameter — Feet	7.2	14.5	21.7	29	36.2

½-Peak Angle — 61°



⅓-Peak Angle — 72°

Distance — Meters	1.5	3	4.5	6	7.5
Lux — at Center	11,550	2885	1280	720	460
Diameter — Meters	2.2	4.3	6.5	8.7	10.8

Performance at Any Distance: Footcandles or Lux = 26,000/Distance²
Diameter = Distance x 1.45



Los Angeles — 18111 South Santa Fe Ave, PO Box 9004, Rancho Dominguez, California 90224 Tel: (213) 637-7500, Telex: 664741

London — P.O. Box 51, Great West Road, Brentford, Middlesex TW8 9HR Tel: 01 560 3171, Telex: 27976

Toronto — 6490 Viscount Road, Mississauga, Ontario, Canada L4V 1H3 Tel: (416) 677-7130, Telex: 06968646

West Germany — 3340 Wolfenbüttel 16 — Salzdaheim Tel: 0 53 31/79 51-53, Telex: 95641

Hong Kong — 802 Houston Centre, 63 Mody Road, Tsimshatsui East, Kowloon Tel: 3-685161, Telex: 44953

Facilities in Paris and New York

A SUBSIDIARY OF THE RANK ORGANISATION