

BAMBINO 2 kW

Quartz Halogen Fresnel

Preliminary data sheet

- Improved light quality and output, producing a flatter and more even field
- High quality, rugged, durable
- Corrosion resistant for longer life
- Compatibility of parts throughout the range
- A comprehensive range of accessories, interchangeable with existing Quartzcolor products
- Easy to service and maintain
- Bonding eyes and rigging hooks
- Front and back focusing
- New worm drive mechanism for precise focusing
- New focus system, easy to adapt from manual to pole operation and maintenance free
- New easy running barndoors ears
- Scratch resistant black non-reflective housing
- CE mark, c UL us listed



Operational data

Safety:

25 x 25 mm wire mesh guard.

Accessory fitting:

Die cast aluminium ears.
Spring loaded top and lower catch for retention of accessories.

Tilt adjustment:

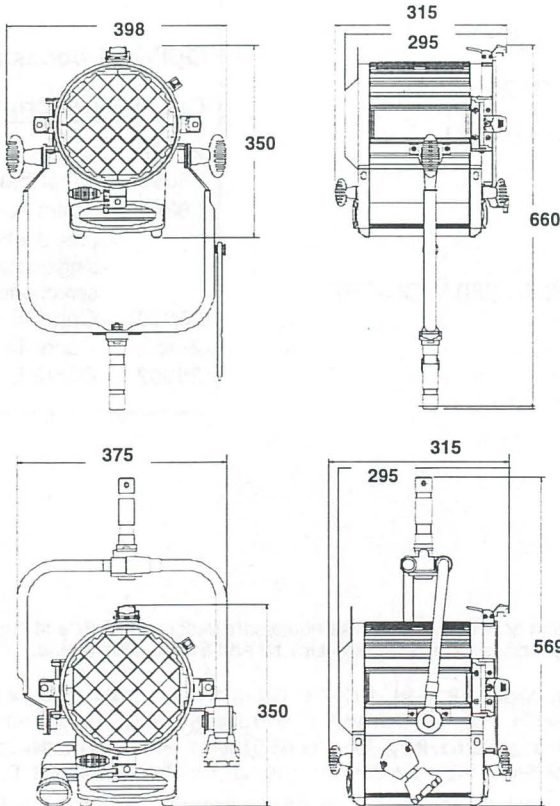
Pivot located at centre of gravity for excellent balance and positive locking.

Focus adjustment:

Front and rear focusing knobs (MO units) or side mechanism (PO units) for smooth and precise action from spot to flood positions

Lamp access:

Hinged lens door allows easy access for lamp replacement.



M.O.

Weights & dimensions

Lens diameter	175 mm
Accessory diameter	270 mm
Filter cut size	195 x 195 mm
Weight (head + stirrup) M.O.	10 kg
Weight (head + stirrup) P.O.	14 kg
Packed weight M.O.	12 kg
Packed weight P.O.	16 kg
Packed volume	
M.O.	460 x 430 x 490 mm
P.O.	510 x 460 x 540 mm

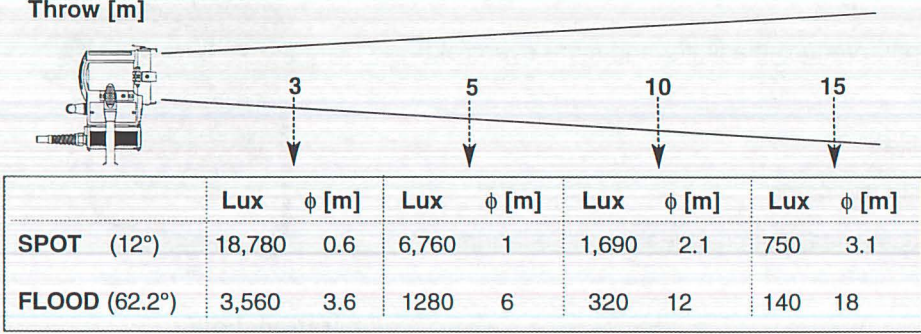
P.O.



Photometric data

Typical performance based on CP 41 - 2000 W lamp:

Throw [m]



Lamp data

Lamp code	CP41 - 2000 W
LCL (mm)	127
Base	G38
Lumens	54000
Rated life hours (H)	400
Colour temp. (K)	3200

Mechanical data

- Paint / Finish:** Powder coated epoxy paint with special extra high temperature treatment in critical areas. External textured low gloss finish
- Lamp house** Die cast aluminium components, stainless steel housing
- Mounting:** Robust tubular MO or PO steel stirrup with EURO spigot

Environmental Data

- Max operating ambient temperature:** 45°C
- IP Rating:** IP 20
- Tilt recommended angle of use:** -60° / 0 / 60°

Electrical data

- Cable / Switching:** 7 m 3 x 2.5 mm² with in-line 20 A / 250 V ON-OFF toggle switch
- Standards compliance:** CE mark, c UL us listed

Ordering information

Cat No	Description
27650	Bambino 2 kW M.O. supplied with stirrup, colour frame, 4 leaf rotating barndoor
27652	Bambino 2 kW P.O. supplied with P.O. stirrup, colour frame, 4 leaf rotating barndoor

Optional Accessories

Cat. No	Description
28859	Colour frame
28050	4 leaf barndoor
28304	Scrim set (one double scrim, one single scrim, one half double scrim, one half single scrim)
28850	Cone S
28851	Cone M
28852	Cone L

The Company reserves the right to make any variation in design or construction to the equipment described. © Strand Lighting Ltd 1999. Strand™, Strand Lighting™, Strand Quartzcolor™ are trade marks of Strand Lighting Limited and Strand Lighting Inc.

Strand Lighting Ltd North Hyde House Hayes Rd Heston Middx UB2 5NL UK Tel: +44 (0)181 571 3588 Fax: +44 (0)181 571 3305
 Strand Lighting GmbH Ullsteinstrasse 114-142 D-12109 Berlin Germany Tel: +49 (0) 30/70 79 51 0 Fax: +49 (0) 30/70 79 519 9
 Strand Lighting Italia srl Via delle Gardenie 33 00040 Pomezia-Roma Italy Tel: +39 06 91963.1 Fax: +39 06 9147136
 Strand Lighting Asia Ltd 7/F Corporation Square 8 Lam Lok Street Kowloon Bay Hong Kong Tel: +852 2757 3033 Fax: +852 2757 1767

LONDON - BERLIN - ROME - PARIS - MOSCOW - LOS ANGELES - NEW YORK - TORONTO - HONG KONG