

Strand Lighting

Bambino 500

Very compact and rugged 500W fresnel with 3 1/2" (90 mm) diameter lens. Supplied with height adjustable cast yoke incorporating 5/8" (16mm) socket and 1/2" hole for C-clamp fitting, color frame, 8 leaf rotating barndoor, 13ft (4m) cable with in-line switch and GR molded connector.

Cat. No.	Description
26636	Bambino 500W, GR connector

Bambino 500 Accessories

Cat. No.	Description
28103	Additional Color Frame 5 1/8" (130mm) diameter
28108	Additional Barndoor, 8-leaf rotating - 5 1/8" (130mm) diameter
28107	Scrim set no 10A (2 full double, 1 full single, 1 half single) - 5 1/8" (130mm) diameter
28104	Cone, variable aperture - 5 1/8" (130mm) diameter
82602	Small Gaffer Grip 5/8" (16mm) spigot
82020	Spigot Adaptor 5/8" to 1 1/8" (16mm to 29mm)
81004	Lightweight Stand with 5/8" (16mm) spigot
82003	Safety Cable, 18" (457mm)

Bambino 500 & 650 Lamps

FKW	300W 120V 3200K Lamp
FRG	500W 120V 3200K Lamp
FRF	500W 120V 3050K Lamp
CP81	300W 230V 3200K Lamp
CP82	500W 230V 3200K Lamp

Bambino 650

Very compact and rugged 650W fresnel with 5 1/8" (130mm) diameter lens. Supplied with cast stirrup incorporating 5/8" (16mm) socket, color frame, 8 leaf rotating barndoor, 13ft (4m) cable with in-line switch and GR molded connector

Cat. No.	Description
26426	Bambino 650W, GR connector

Bambino 650 Accessories

Cat. No.	Description
28047	Additional Color Frame - 6 5/8" (168mm) diameter
28048	Barndoor, 4-leaf rotating 6 5/8" (168mm) diameter
28056	Additional Barndoor, 8-leaf rotating 6 5/8" (168mm) diameter
28359	Scrim set No. 9A (2 full double, 1 full single, 1 half double, 1 half single) 6 5/8" (168mm) diameter
28049	Cone - variable aperture - 6 5/8" (168mm) diameter
82603	Large Gaffer Grip 5/8" (16mm) spigot
82020	Spigot Adaptor 5/8" to 1 1/8" (16mm to 29mm)
81004	Lightweight Stand with 5/8" (16mm) spigot
82003	Safety Cable, 18" (457mm)

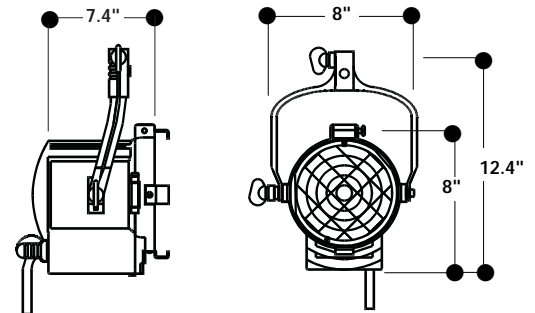
Bambino 650 only lamps

FRK	650W 120V 3200K Lamp
FRE	650W 120V 3200K Lamp
CP89	650W 230V 3200K Lamp

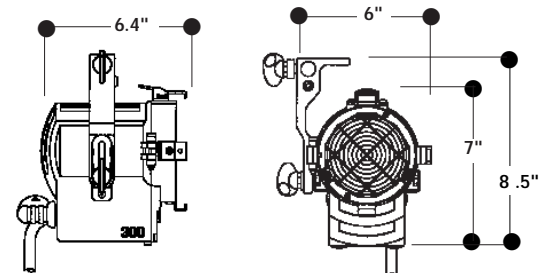
PRODUCT DATA

BAMBINO™ 500 BAMBINO™ 650 300, 500, 650W Fresnels

Bambino 650



Bambino 500



- Compact and rugged design, ideal for location work.
- Designed for easy handling in the studio or on location
- Easy action spring loaded top catch for security but with quick access for accessory fitting
- Exceptional performance from generous lens sizes
- Optimized for even spread and wide focus range
- Superb light control from generously proportioned barndoors
- High quality mechanics for years of reliable operation
- Wide front access for easy lamp replacement
- Both models accept a range of studio and long life lamps for extra flexibility. Bambino 500 accepts up to 500W maximum
- Bambino 500 has unique single sided yoke design which is adjustable for close rigging
- Bambino 500 has reversible accessory ears to either allow space for multiple scrims or with reduced depth for fitting fewer scrims but without light spill
- Both fixtures available in portable lighting kits complete with accessories and stands in a rugged carrying case.

Photometric Data

Bambino 500

Throw (ft)	5		10		15		20	
	FC	Ø	FC	Ø	FC	Ø	FC	Ø
Flood 41.5°	395	3.8ft	100	7.6ft	45	11.4ft	25	15.2ft
Spot 12.7°	1220	1.1ft	305	2.2ft	135	3.3ft	75	4.4ft

Performance based on FRK 500W lamp
 For performance with FKW 300W lamp multiply FC by 0.6
 Performance at any distance: Flood 9800 ÷ Distance²
 Performance at any distance: Spot 30500 ÷ Distance²

Bambino 650

Throw (ft)	10		15		20		25	
	FC	Ø	FC	Ø	FC	Ø	FC	Ø
Flood 53°	110	10ft	50	15ft	25	20ft	-	-
Spot 11°	-	-	290	2.9ft	160	3.8ft	100	4.8ft

Performance based on FRK 650W lamp
 For performance with FRB 500W lamp multiply FC by 0.77
 Performance at any distance: Flood 10700 ÷ Distance²
 Performance at any distance: Spot 64800 ÷ Distance²

Lamp Data

Order lamps for replacement to the following specifications.

Watts	650	500	300	650	500
Designation	FRK	FRG	FKW	FRE	FRF
Base	2PP	2PP	2PP	2PP	2PP
Lumens	16900	12500	6900	15000	1100
LCL	46mm	46mm	46mm	46mm	46mm
Rated Life-Hours	200	150	150	400	400
Color Temp	3200K	3200K	3200K	3050K	3050K



Strand Lighting

Los Angeles: Strand Lighting Inc, 18111 South Santa Fe Avenue,
 PO Box 9004, Rancho Dominguez, CA 90221 USA.
 Tel: (310) 637 7500 Fax: (310) 632 5519
 Toll Free Tel: 800 733 0564 Toll Free Fax: 800 775 LEKO (5356)

Toronto: Strand Lighting Ltd, 2430 Lucknow Drive No 15,
 Mississauga, Ontario, Canada L5S 1V3.
 Tel: (905) 677 7130 Fax: (905) 677 6859

Hong Kong: Strand Lighting Asia Limited, 7/F Corporation Square,
 8 Lam Lok Street, Kowloon Bay Kowloon, Hong Kong.
 Tel: 852 2757 3033 Fax: 852 2757 1767

London: Strand Lighting Ltd, Grant Way, Isleworth, Middlesex,
 TW7 5QD, United Kingdom.
 Tel: +44 (0)181 560 3171 Fax: +44 (0)181 568 2103

For more information on Strand products and World Wide facilities see our Web page

<http://www.strandlight.com>

Electrical Data

Supply Voltage	110/240V 50/60Hz
Cable & Switching	13ft 3 x 16AWG cable with in-line switch and molded GR connector
Standards Compliance	Bambino 650 UL and cUL listed Bambino 500 submitted for listing

Environmental Data

Max Operating Ambient Temp	50°F
IP Rating	IP20
Recommended angles of use	↑90° - 0 - ↓90°

Mechanical Data

Paint/Finish	Matt black high temperature paint
Lamp House	Pressure diecast aluminum two piece construction
Lens	Heat resistant borosilicate glass: Bambino 500 3 1/2" diameter Bambino 650 5 1/8" diameter
Reflector	Spherical anodised aluminum reflector optimised for lamp/lens combination
Mounting/Suspension	Cast aluminum yoke with 5/8" (16mm) socket. Bambino 500 has single sided yoke with facility for standard height mounting giving full rotation around fixture or reduced height for tight rigging situations

Operational Data

Lamp Access	Through hinging lens door
Beam Adjustment	By 8-leaf rotating barndoor
Focus Adjustment	By rear facing rotary control with helical screw focus mechanism
Accessory Fitting	Drop-in accessories with spring loaded top catch for retention

Weights and Dimensions

	Bambino 500	Bambino 650
Length	6.4" (162mm)	7.4" (188mm)
Width	6" (153mm)	8" (203mm)
Height		
Head only	7" (178mm)	8" (203mm)
With yoke - stand mounted	9.6" (243mm)	11.7" (297mm)
With yoke - hanging	8.4" (212mm)	12.1" (307mm)
With short yoke - hanging	7" (178mm)	-
Weight		
Fixture	5.0lb (2.3kg)	5.7lb (2.6kg)
Barndoor (4 leaf)	1.5lb (0.7kg)	1.8lb (0.8kg)
Shipping Data		
Packed Weight	8.5lb (3.9kg)	10lb (4.5kg)
Packed Volume	0.42cu ft (0.012 m ³)	1cu ft (0.029 m ³)

The Company reserves the right to make any variation in design or construction to the equipment described. Strand™ and Strand Lighting™ are trade marks of the Strand Lighting Limited and Strand Lighting Inc Group of Companies.
 © Copyright Strand Lighting Limited April 1997