

Strand Lighting

PRODUCT DATA

Bambino 500

Very compact and rugged 300W fresnel with 90 mm diameter lens. Supplied with stirrup incorporating 16mm socket, colour frame, 4 leaf rotating barndoor, 4m cable with in-line switch.

Cat. No.	Description
26633	Bambino 500, 500W 230V CP82 lamp
26634	Bambino 500, 500W 240V CP82 lamp

Bambino 500 Accessories

Cat. No.	Description
28080	Additional Colour Frame
28040	Additional Barndoor, 4-leaf rotating
28081	Cone, variable aperture
82602	Small Gaffer Grip 16mm (5/8") spigot
82020	Spigot Adaptor 16mm to 29mm (5/8" to 1 1/8")
81004	Lightweight Stand with 16mm (5/8") spigot
82003	Safety Cable, 457mm (18")

Bambino 500 & 650 Lamps

FKW	300W 120V Lamp
FRG	500W 120V Lamp
FRF	500W 120V Lamp
CP81	300W 230V Lamp
CP82	500W 230V Lamp
T18	500W 230V Lamp

Bambino 650

Very compact and rugged 650W fresnel with 130mm (5 1/8") diameter lens. Supplied with cast stirrup incorporating 16mm (5/8") socket, colour frame, 4 leaf rotating barndoor, 4m (13ft) cable with in-line switch and GR moulded connector

Cat. No.	Description
26423	Bambino 650, 650W 230V CP89 lamp
26424	Bambino 650, 650W 240V CP89 lamp

Bambino 650 Accessories

Cat. No.	Description
28047	Additional Colour Frame - 168mm (6 5/8") diameter
28048	Additional Barndoor, 4-leaf rotating 168mm (6 5/8") diameter
28359	Scrim set No. 9 (1 full double, 1 full single, 1 half double, 1 half single) 168mm (6 5/8") diameter
28049	Cone - variable aperture - 168mm (6 5/8") diameter
82603	Large Gaffer Grip 16mm (5/8") spigot
82020	Spigot Adaptor 16mm to 29mm (5/8" to 1 1/8")
81004	Lightweight Stand with 16mm (5/8") spigot
82003	Safety Cable, 457mm (18")

Bambino 650 only lamps

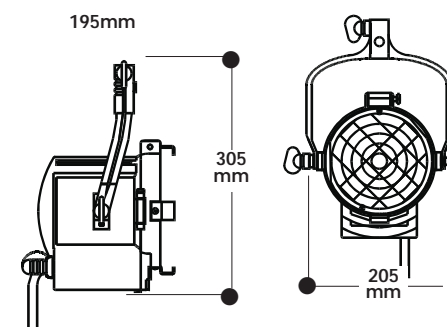
FRK	650W 120V Lamp
CP89	650W 230V Lamp

2.2.

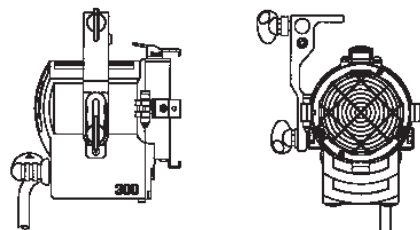
FRESNELS

BAMBINO™ 500 BAMBINO™ 650 500, 650W Fresnels

Bambino 650



Bambino 500



- Compact and rugged design, ideal for location work.
- Designed for easy handling in the studio or on location
- Easy action spring loaded top catch for security but with quick access for accessory fitting
- Exceptional performance from generous lens sizes
- Optimised for even spread and wide focus range
- Superb light control from generously proportioned barndoors
- High quality mechanics for years of reliable operation
- Wide front access for easy lamp replacement
- Both models accept a range of studio and long life lamps for extra flexibility. Bambino 500 accepts up to 500W maximum
- Bambino 500 has unique single sided yoke design which is adjustable for close rigging
- Bambino 500 has reversible accessory ears to either allow space for multiple scrims or with reduced depth for fitting fewer scrims but without light spill
- Both fixtures available in portable lighting kits complete with accessories and stands in a rugged carrying case.

Photometric Data**Bambino 500**

Throw (ft)	5		10		15		20	
	FC	Ø	FC	Ø	FC	Ø	FC	Ø
Flood 49°	180	4.5ft	45	9ft	20	13.5ft	-	-
Spot 11°	-	-	225	1.9ft	100	2.9ft	55	3.8ft

Performance based on FKW 300W lamp

For performance with FRB 500W lamp multiply FC by 1.67

Performance at any distance: Flood 4548 ÷ Distance²Performance at any distance: Spot 22682 ÷ Distance²**Bambino 650**

Throw (ft)	10		15		20		25	
	FC	Ø	FC	Ø	FC	Ø	FC	Ø
Flood 53°	110	10ft	50	15ft	25	20ft	-	-
Spot 11°	-	-	290	2.9ft	160	3.8ft	100	4.8ft

Performance based on FRK 650W lamp

For performance with FRB 500W lamp multiply FC by 0.77

Performance at any distance: Flood 10700 ÷ Distance²Performance at any distance: Spot 64800 ÷ Distance²**Lamp Data**

Order lamps for replacement to the following specifications.

Watts	650	500	650	500
Designation	FRK(CP89)	FRB(CP82)	FRE(T26)	FRF(T18)
Base	2PP(GY9.5)	2PP(GY9.5)	2PP(GY9.5)	2PP(GY9.5)
Lumens	16900	12500	15000	1100
LCL	46mm	46mm	46mm	46mm
Rated Life-Hours	200	150	400	400
Colour Temp	3200K	3200K	3050K	3050K

Electrical Data

Supply Voltage	110/240V 50/60Hz
Cable & Switching	3.5m 3 x 1.5mm ² cable with in-line toggle switch
Standards Compliance	Bambino 650 UL and cUL listed Bambino 500 submitted for listing

Environmental Data

Max Operating Ambient Temp	45°C
IP Rating	IP20
Recommended angles of use	↑90° - 0 - ↓90°

Mechanical Data

Paint/Finish	Matte black high temperature paint
Lamp House	Pressure diecast aluminium two piece construction
Lens	Heat resistant borosilicate glass: Bambino 500 3 1/2" diameter Bambino 650 5 1/8" diameter
Reflector	Spherical anodised aluminium reflector optimised for lamp/lens combination
Mounting/Suspension	Cast aluminium yoke with 5/8" (16mm) socket. Bambino 500 has single sided yoke with facility for standard height mounting giving full rotation around fixture or reduced height for tight rigging situations

Operational Data

Lamp Access	Through hinging lens door
Beam Adjustment	By 4-leaf rotating barndoor
Focus Adjustment	By rear facing rotary control with helical screw focus mechanism
Accessory Fitting	Drop-in accessories with spring loaded top catch for retention

Weights and Dimensions

	Bambino 500	Bambino 650
Length	162mm	188mm
Width	153mm	203mm
Height		
Head only	178mm	203mm
With yoke-stand mounted	243mm	297mm
With yoke-hanging	212m	307mm
With short yoke-hanging	178mm	-
Weight		
Fixture	2.3kg	2.6kg
Barndoor	0.7kg	0.8kg
Shipping Data		
Packed Weight	3.9kg	4.5kg
Packed Volume	0.012 m ³	0.029 m ³



Strand Lighting

London: Strand Lighting Ltd, Grant Way, Isleworth, Middlesex, TW7 5OD, United Kingdom.
Tel: +44 (0)181 560 3171 Fax: +44 (0)181 568 2103

Hannover: Strand Lighting GmbH, Salzbergerstrasse 2, 38302 Wölfenbüttel-Salzdahlum, Germany
Tel: +49 5331 30080 Fax: +49 5331 78883

Rome: Strand Lighting Italia Srl, Via delle Gardenie 33, 00040 Pomezia, Roma, Italy
Tel: +39 (0)6 914 7123 Fax: +39 (0)6 914 7136

Hong Kong: Strand Lighting Asia Limited, 7/F Corporation Square, 8 Lam Lok Street, Kowloon Bay, Kowloon, Hong Kong
Tel: +852 2757 3033 Fax: +852 2757 1767

ALSO FACILITIES IN: LOS ANGELES • NEW YORK • TORONTO

For more information on Strand products and World Wide facilities see our Web page

<http://www.strandlight.com>

The Company reserves the right to make any variation in design or construction to the equipment described. Strand™ and Strand Lighting™ are trade marks of the Strand Lighting Limited and Strand Lighting Inc Group of Companies.

© Copyright Strand Lighting Limited March 1997