



Moving heads – Beam **VL800 BeamLine**

The VL800 BeamLine is a linear moving head unit offering a wide variety of unique effects and animation options. Its 12 RGBW LED emitters produce a bright (>3000 lumen) and distinctive, flat sheet of light with a collimated 3.5° beam angle. The unit offers advanced dynamic capabilities with fast, continuous pan and tilt, plus Vari-Lite's exclusive Mega-step and Twist functions on both pan and tilt channels.

The VL800 BeamLine's unique looking optical system and comprehensive RGBW color mixing capabilities are complemented by the possibility for pixel-mapping in 12-zone mode, allowing for the extra dimension of video integration. The VL800 BeamLine is compact and lightweight, designed to maximize performance, reliability and ease of maintenance, and priced to offer customers a fast and high return on investment.

Product data



Features and benefits

- Linear strip moving light
- Compact and lightweight
- 12 x RGBW LED emitters
- >3000 lumen output
- 3.5° beam angle
- Pixel-mapping
- Continuous pan and tilt
- Mega-step and Twist effects
- Fast, repeatable synchronized movement

Source	Type	47 LEDs
	Wattage	40W
	Source lumens	6000lm
	Source CCT	Variable
	Source CRI	>90
Optical performance	Output lumens	>3000
	Output CRI	Variable
	Output CCT	2700K-8000K
	RGBW Full Lux @ 5m	13370
	RGBW Full Lux @ 10m	3343
Beam	Beam angle	3.5° beam / 5.5° field angle
Color	Color mixing type	RGBW
	Color presets	58 preset colors and chases
Movement	Pan	540° / Continuous spin
	Tilt	270° / Continuous spin
	P/T speed	1.3s / 1.1s
Noise Levels	1m Full operation - full output	47db
	1m Idle - full output	47db
Power	Range	100-240V / 50/60HZ
	Connector type	TrueOne powerCON Input and Thru
	Max wattage	350W
Data Connections	DMX (RDM)	5 Pin XLR input and Thru
	RJ45 Data Point	In
Data Protocols	DMX-512 /RDM	Yes - 8 or 16# Bit color control 1, 3, 12 Zones
Physicals	Size H x W x D (max)	240 x 600 x 335.5mm
	Weight	14.5kg
	IP rating	IP20
	Hanging	Omega
Approbations	CE, ETL, UL, FCC CSA, RoHS, ISO 9001	
Warranty	Standard Philips Vari-Lite 2 year limited warranty	

Product data

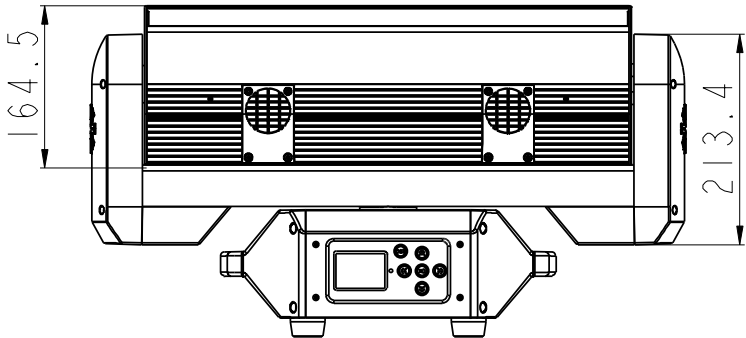
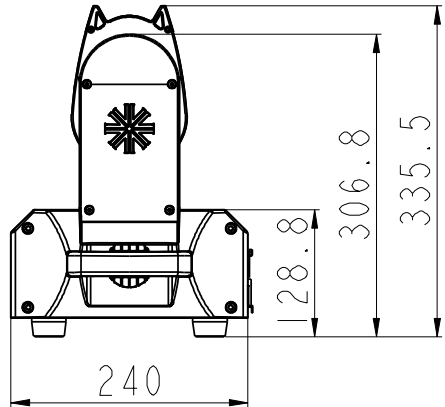
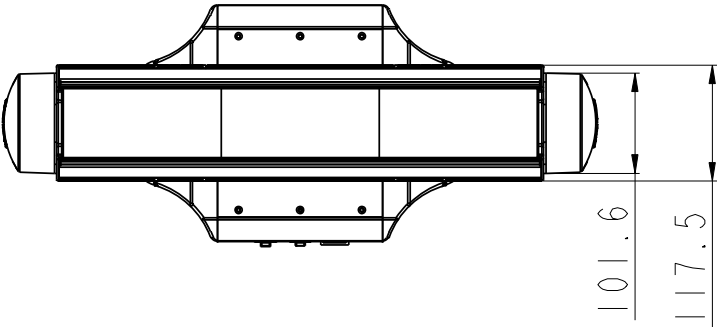
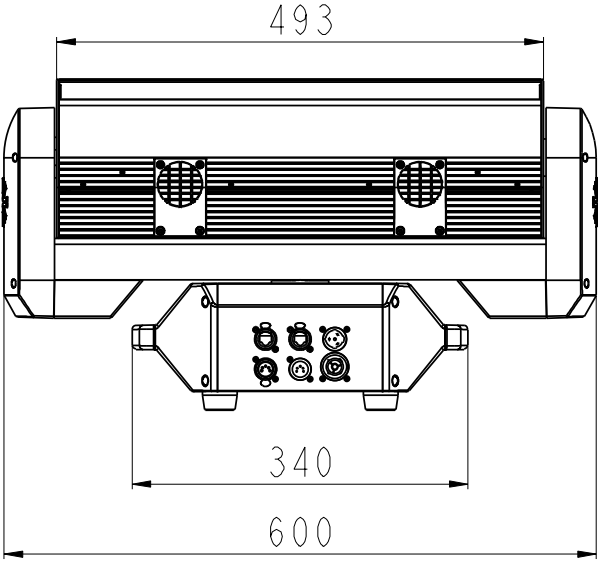
Philips Vari-Lite VL800 BeamLine

Order Code

Vari-Lite VL800 BeamLine fixture
c/w 2 x Omega clamps and TrueOne powercon input connector

88-105-7290-00

Dimensional drawing





© Philips Lighting Holding B.V. 2017. All rights reserved. Philips reserves the right to make changes in specification and/or to discontinue any product at any time without notice or obligation and will not be liable for any consequences resulting from the use of this publication.

www.philips.com/vari-lite

02/2018

Data subject to change. All measurements quoted primarily in millimeters.