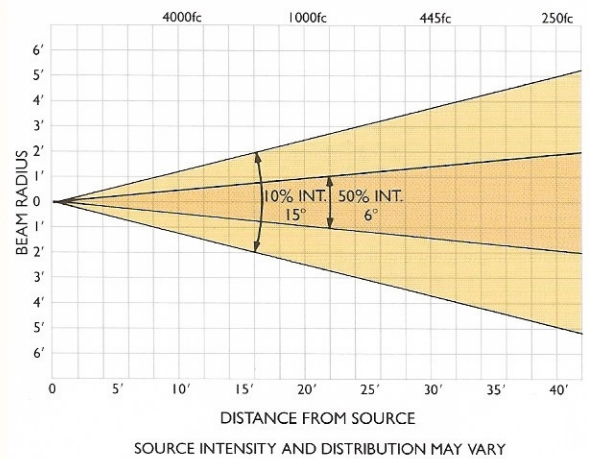


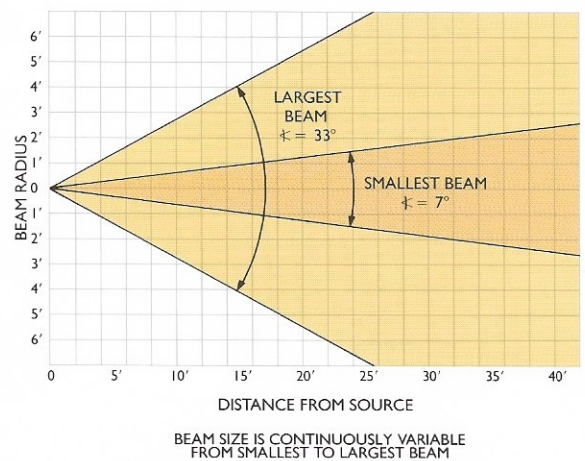
## VL2 SPOT LUMINAIRE

The VL2™ is a high-performance automated spot luminaire with a metal halide arc source. It features the advanced Dichro\*Wheel™ color changing system, Vari-Lite's interchangeable Vacu\*Dep™ patterns (which can be customized to any design), and precise control of soft or hard edge beams and beam diameter.

### VL2 — INTENSITY (CENTER BEAM)



### VL2 — BEAM SIZE IRIS RANGE



## VL2 SPOT LUMINAIRE

Dichro\*Wheel™ color changing system produces 120 dichroic colors from light pastels to rich saturated hues in a fraction of a second

Consistent color from one luminaire to the next

Metal halide arc source with consistent 5600°K color temperature rated at 250 hours

Produces 1000 foot-candles at 20 feet

9 Vacu\*Dep™ reflective coated patterns/gobos that are user interchangeable, with custom design available

270° tilt and 360° pan

Continuously variable beam diameter

Hard or soft edge beam

Full-field intensity dimming

Luminaire Dimensions: (see line drawings)

Weight: 58 lbs

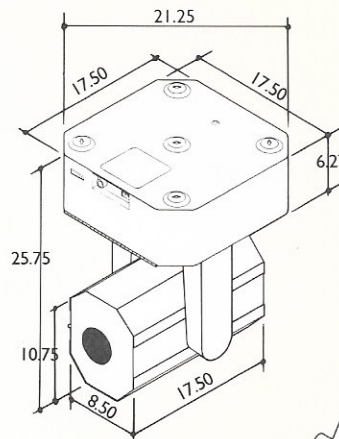
Two-Luminaire Case: 42 x 23 x 37

Weight: 245 lbs with luminaires

Four-Luminaire Case: 83 x 23 x 37

Weight: 460 lbs with luminaires

All dimensions given are in inches.



### HANGING METHODS

All dimensions given are in inches.

