

SL15/32, SL23/50

Coolbeam Zoom Spotlights 600W

Excellent light output, superb distribution and the smoothest soft edge while maintaining beam size. Sharp gobo, edge and shutter focus.

Very compact and narrow with the smallest dimensions in their category. Easy to use and maintain with many features for increased safety.



Features

- Precision optical system with high light output
- High efficiency dichroic glass reflector and coated aspheric computer-designed lenses
- Coolbeam operation for extended gobo, shutter and gel life
- Optimised for energy efficient, high performance GKV 600W lamps; GLB long life lamps also available
- Consumes significantly less energy while providing more light than most conventional 1000W/1200W spotlights
- Fast and easy lamp centring with positive screw driver lock so that it won't move in transit
- Fast positive peak/flat adjustment via lead screw drive mechanism for smooth, tool-free field settings
- Bayonet action lamp changing system for simple lamp changes without affecting field setting
- Compact and lightweight, allowing closer hanging in tighter spaces
- Smooth 360° body rotation for quick and easy gobo and shutter positioning
- Shutters in three planes for triangular shutter cut
- Highly versatile rigging by combining 360° rotation with two balance positions for yoke
- Large rear handle for easy positioning
- Quick and easy access for reflector and lens cleaning
- Common lamp house with easily interchangeable tubes
- Wide gate will fit 2 gobo holders, including glass gobo holder, drop-in iris or rotating gobo holder
- Safety bond attachment point for the luminaire and accessories
- CE marking

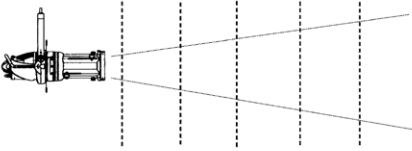
SPECIFICATION SUBMITTAL

CONSULTANT <input type="text"/>	PROJECT NAME: <input type="text"/>	MODEL NUMBER QUANTITY: <input type="text"/> <input type="text"/> <input type="text"/> <input type="text"/> <input type="text"/> <input type="text"/> <input type="text"/> <input type="text"/>
DATE: <input type="text"/>	PROJECT NUMBER: <input type="text"/>	APPROVED BY: <input type="text"/>

Photometric data

Typical performance based on: 600w GKV 230/240V lamp

SL15/32



SL15/32 at 15°

Distance (m)	5	10	15	20	25
Beam Ø (m)	1.3	2.6	3.9	5.3	6.6
Illum (lux)	6160	1540	684	385	246

Beam candle power (cd) 154,000

SL15/32 at 26°

Distance (m)	5	10	15	20	25
Beam Ø (m)	2.3	4.6	6.9	9.2	11.5
Illum (lux)	4880	1220	542	305	195

Beam candle power (cd) 122,000

SL15/32 at 32°

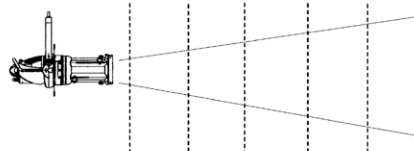
Distance (m)	5	10	15	20	25
Beam Ø (m)	2.9	5.7	8.6	11.5	14.3
Illum (lux)	3280	820	364	205	131

Beam candle power (cd) 82,000

Performance at any distance: divide beam candle power by distance²

For beam diameter at any distance:	15° multiply 0.26 x distance	23° multiply 0.41 x distance
	26° multiply 0.46 x distance	35° multiply 0.63 x distance
	32° multiply 0.57 x distance	50° multiply 0.93 x distance

SL23/50



SL23/50 at 23°

Distance (m)	5	10	15	20	25
Beam Ø (m)	2.0	4.1	6.1	8.1	10.2
Illum (lux)	4640	1160	516	290	186

Beam candle power (cd) 116,000

SL23/50 at 35°

Distance (m)	5	10	15	20	25
Beam Ø (m)	3.2	6.3	9.5	12.6	15.8
Illum (lux)	2000	500	222	125	80

Beam candle power (cd) 50,000

SL23/50 at 50°

Distance (m)	5	10	15	20	25
Beam Ø (m)	4.7	9.3	14.0	18.7	23.3
Illum (lux)	1200	300	133	75	48

Beam candle power (cd) 30,000

Electrical & Mechanical data

Construction: Die cast aluminum housing with black epoxy powder coat. Stainless steel shutters.

Gate: Plated steel

Lenses: Crown glass coated aspheric lens

Lamp: G9.5 base

GKV 400 hours 3200°K

GLB 1500 hours 3100°K

Supply voltage: 120-240V, 50/60 Hz

Standards compliance: CE marking

Max operating ambient temperature: 45°C

Ordering Information

Cat No Description

SL 15/32 and 23/50 are supplied with 360° rotation mounting yoke, colour frame, and 1.0m of power cable.

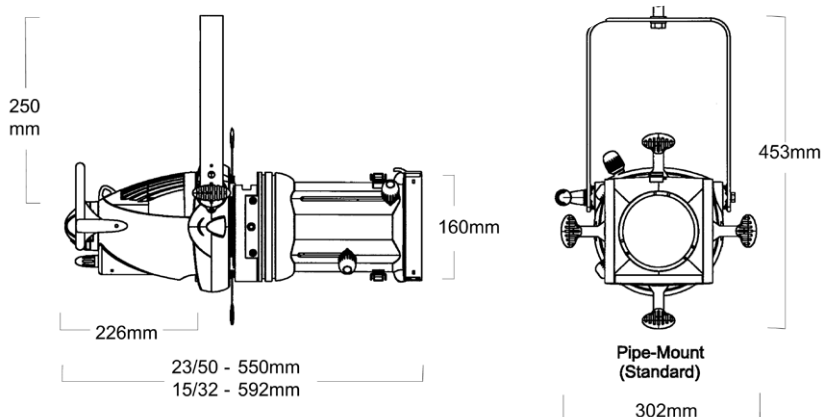
11410	SL 15/32, 230/240V, 600W, be
11420	SL 23/50, 230/240V, 600W, be

Optional Accessories

18045	Gobo holder size B
18049	Iris (24 leaf)
18114	Color frame
18115	High hat
18143	Donut

Weights and Dimensions

	15/32	23/50
Weight	7kg	6.9kg
Packed weight	9.8kg	9.6kg
Packed volume	0.083m ³	0.08m ³
Filter cut size	158 x 158mm	



Strand Lighting Europe Limited

Unit 2 Royce Road, Fleming Way
Crawley, West Sussex RH10 9JY
Tel: + 44 (0) 1293 554010
Fax: + 44 (0) 1293 554019

Strand Lighting Asia Limited

20/F Delta House,
3 On Yiu Street
Shatin, N.T. Hong Kong
Tel: +852 2757 3033
Fax: +852 2757 1767

Strand Lighting, Inc.

6603 Darin Way
Cypress, CA 90630
Tel: (714) 230-8200
Fax: (714) 899-0042

www.strandlighting.com

© Philips Group 2008
All rights reserved.
The Company reserves the right to make any variation in design or construction to the equipment described. E&OE