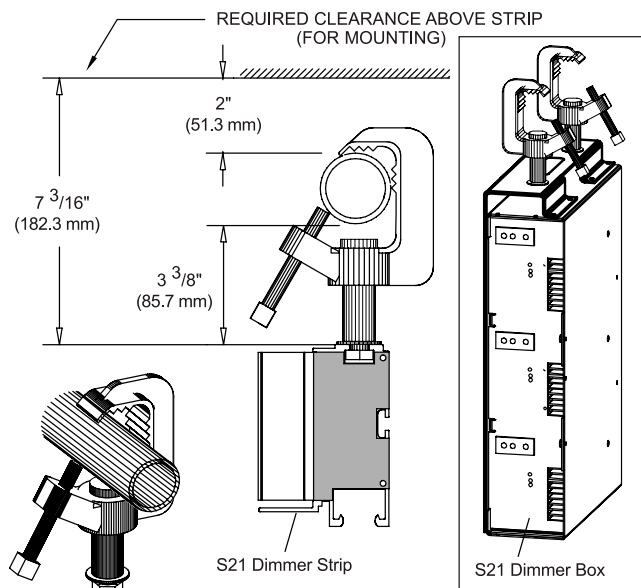


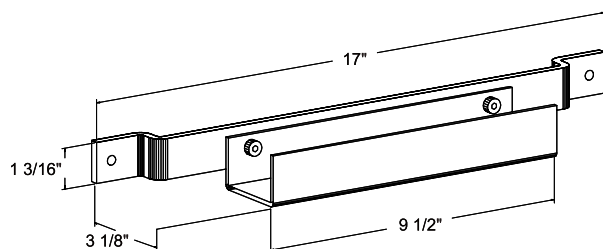
S21™ Dimmer Strip & Dimmer Plug Box Mounting Hardware

Strand Distributed Dimming



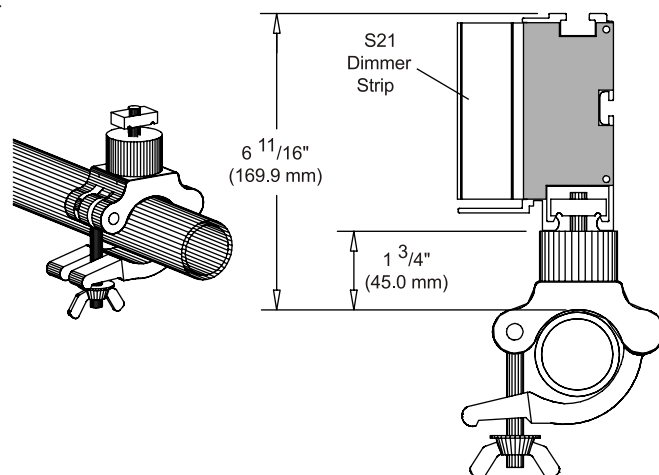
“C” Style Clamp: 82019

The 82019 “C” Style Mounting Clamp is used to mount S21 Dimmer Strips or Boxes beneath a 1½” schedule 40 pipe or a 2” aluminum tube (truss). This clamp style leaves the bottom unistrut mounting channel free to attach fixtures to the dimmer strip. The “C” Style Clamp allows Dimmer Strips to be quickly relocated. (Two “C” Style Clamps are required to mount an S21 Dimmer Strip or Box.)



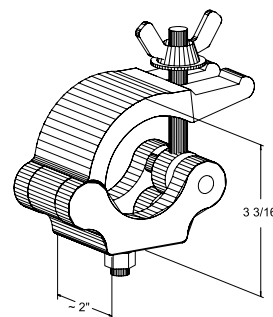
Wall Mount Hanger: 71344

The 71344 Wall Mount Hanger is used to permanently mount an S21 Dimmer Plug Box to a wall.



Cheesbro Style Clamp: 71343

The 71343 Cheesbro Style Mounting Clamp is used to mount an S21 Dimmer Strip above either a 1½” schedule 40 pipe or a 2” aluminum tube (truss). The Cheesbro Style Clamp allows Dimmer Strips to be quickly relocated. (Two Cheesbro Style Clamps are required for each Dimmer Strip.)



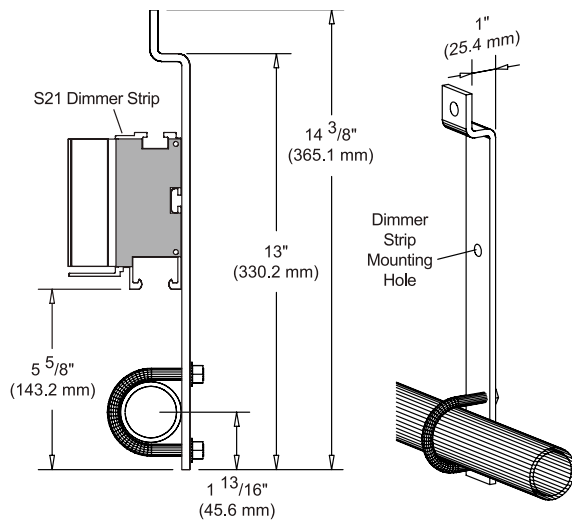
Cheesbro Style Clamp: 71351

The 71351 Cheesbro Style Mounting Clamp is used to mount an S21 Dimmer Plug Box above either a 1½” schedule 40 pipe or a 2” aluminum tube (truss). The Cheesbro Clamp allows Dimmer Plug Boxes to be quickly relocated. (Two Cheesbro Style Mounting Clamps are required for each Dimmer Plug Box.)

SPECIFICATION SUBMITTAL

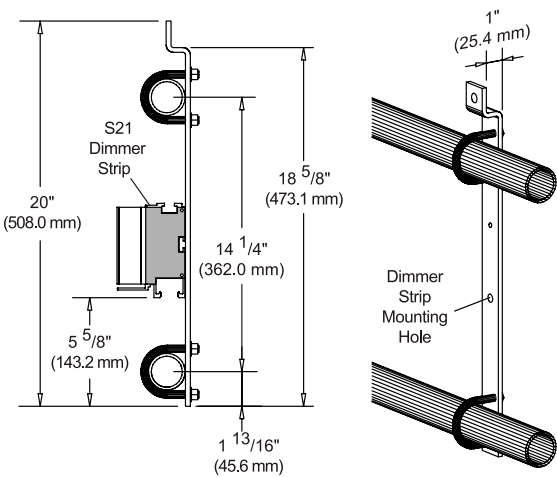
| | | |
|------------------------------------|---------------------------------------|--|
| CONSULTANT <input type="text"/> | PROJECT NAME: <input type="text"/> | MODEL NUMBER QUANTITY: <input type="text"/> |
| DATE: <input type="text"/> | PROJECT NUMBER: <input type="text"/> | APPROVED BY: <input type="text"/> |

Strand Distributed Dimming



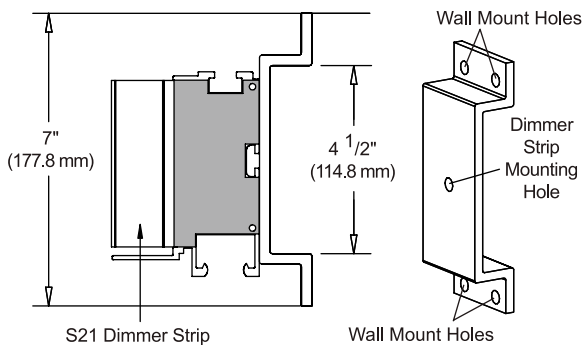
Single Pipe Hanger: 71347

The 71347 Single Pipe Hanger is used to suspend a single 1 1/2" schedule 40 pipe and an S21 Dimmer Strip from a rigging system or a ceiling. (Single Pipe Hangers must be spaced to accommodate both the suspension of the pipe and the S21 Dimmer Strip.)



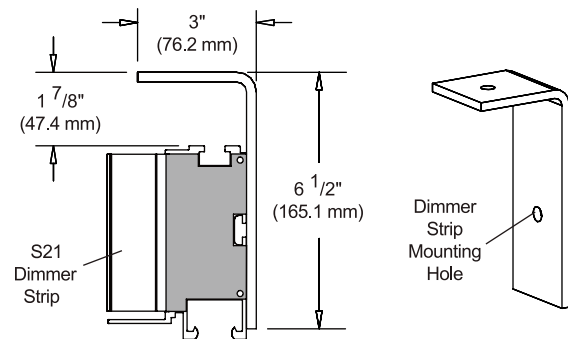
Double Pipe Hanger: 71348

The 71348 Double Pipe Hanger is used to suspend two 1 1/2" schedule 40 pipes and an S21 Dimmer Strip to a rigging system or a ceiling. The S21 Dimmer Strip is supported mid-way between the two battens. (Double Pipe Hangers must be spaced to accommodate both the suspension of the pipes and the S21 Dimmer Strip.)



Wall Mount Hanger: 71349

The 71349 Wall Mount Hanger is used to permanently mount an S21 Dimmer Strip to a wall. (Two Wall Mount Hangers are required for each strip.)



Ceiling Mount Hanger: 71350

The 71350 Ceiling Mount Hanger is used to permanently mount an S21 Dimmer Strip beneath a ceiling. (Two Ceiling Mount Hangers are required for each strip.)

Strand Lighting, Inc. 6603 Darin Way
Cypress, CA 90630
Tel: (714) 230-8200
Fax: (714) 899-0042

Strand Lighting Europe Limited Unit 2 Royce Road, Fleming Way
Crawley, West Sussex RH10 9JY
Tel: + 44 (0) 1293 554010
Fax: + 44 (0) 1293 554019

Strand Lighting Asia Limited 20/F Delta House,
3 On Yiu Street
Shatin, N.T. Hong Kong
Tel: +852 2757 3033
Fax: +852 2757 1767

www.strandlighting.com

© Philips Group 2008
All rights reserved.
The Company reserves the right to make any variation in design or construction to the equipment described. E&OE