

1500 150
TAX.

MINIPAK

Lighting Control



Minipak

Minipak is a low cost dimmer with the reliability of more expensive systems and suitable for schools and other non-professional theatre use. All the remote control consoles offered by Strand can be coupled with Minipak.

Minipak is designed and manufactured in Australia and complies with the Supply Authority Regulations.

They are easily serviced and backed by the national resources of Strand who also offer a change over service at minimal cost.

STAGECRAFT
Lighting • Effects • Staging • Sound
170 Wellington Street, Perth 6000
Telephone: 325 1066



**STRAND
ELECTRIC**

A DIVISION OF



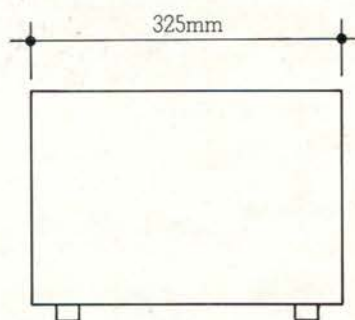
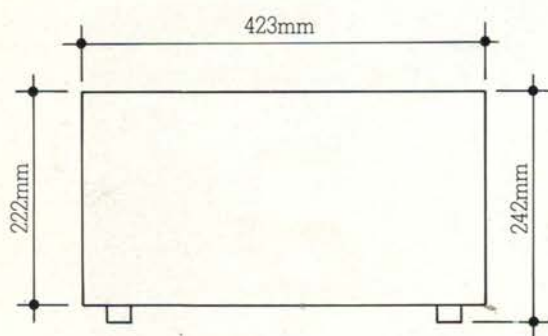
**RANK
AUSTRALIA**

PROFESSIONAL SERVICES GROUP

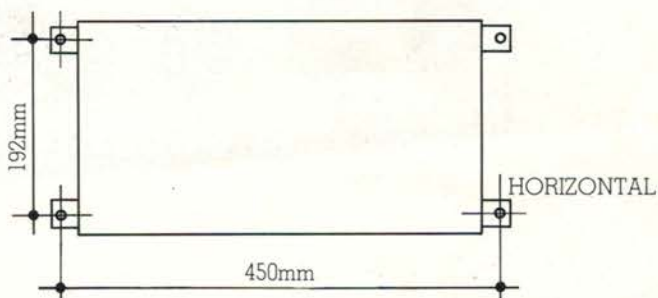
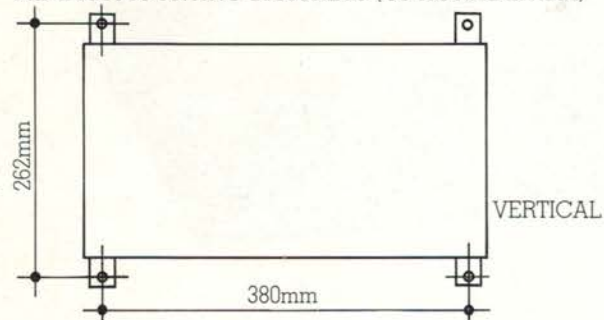
12 Barcoo Street, East Roseville NSW 2069. Phone: 406 6176
60 Rosebank Avenue, Clayton South Vic 3169. Phone: 541 8502
299 Montague Road, West End, Brisbane 4101. Phone: 44 2851
101-105 Mooringe Avenue, Camden Park SA 5038. Phone 294 6555
430 Newcastle Street, Perth WA 6000. Phone: 328 3933
120 Parry Street, Newcastle NSW 2300. Phone: 26 2466

MINIPAK

Lighting Control



MINIPAK MOUNTING BRACKETS (OPTIONAL EXTRA)



Specifications

Number of channels: 12 per rack

Capacity: 50-2,000 watt (resistive) per channel

Power Supply: Normal 240 volt AC 50 hertz or multiphase supply (phase independent). Supply must be from a fused isolated supply.

Load: Up to 12 circuits per dimmer rack, each circuit rating 2 kW. Loads are connected via the 10 amp 3 pin outlets on the front of each module.

Cable Entry: Via a plate at the end of the rack.

Control Connection: Via a multi-pin outlet mounted on the front panel or hard wired.

Construction

All housing constructed from mild sheet steel and finished in deep bronze green.