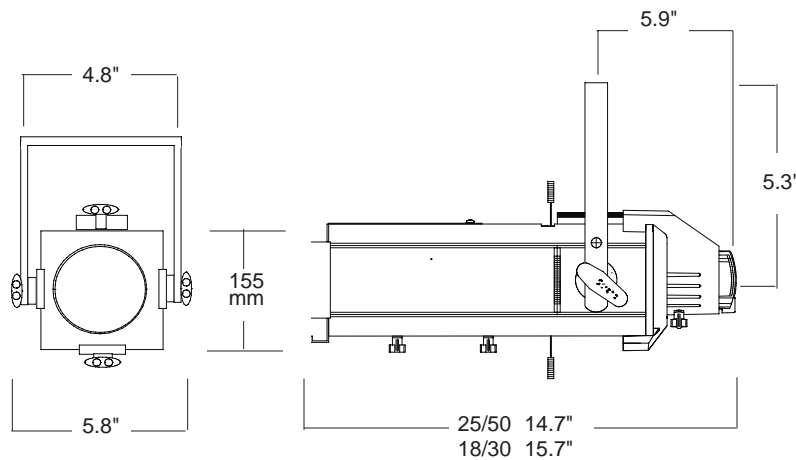


LEKOZOOM 18/30 & 25/50 Coolbeam Profile Spotlights 600W

Features

Lekozoom brings the twin benefits of high efficiency optics and cool beam with the flexibility of variable beam angles in a very compact luminaire

- ❑ Lekozoom outperforms many higher powered conventional profile spotlights in a compact housing ideal for tight rigging situations
- ❑ Lekozoom exploits the compact filament of the new generation axial 600W lamp in a custom designed glass reflector
- ❑ The dichroic coating of the glass reflector ensures reduced energy in the beam for extended color gel, pattern and iris life and results in a higher color temperature
- ❑ The variable angle optics provide high operational flexibility with just two models covering beam angles from 18° to 50°
- ❑ Rugged die cast lamphouse incorporates patented user friendly lamp adjustment and changing systems
- ❑ Extruded aluminum lens tube incorporates smooth action zoom lens adjustment with click stop positioning of pre-defined beam angles



Weights and Dimensions

	18/30	25/50
Weight	15.5lbs	15.0lbs
Packed Weight	17.5lbs	17.0lbs
Packed volume	0.048 ³	0.048 ³
Filter Cut Size	6 1/4" x 6 1/4"	6 1/4" x 6 1/4"

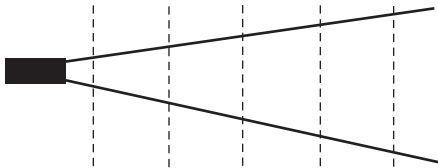


Photometric data

Typical performance based on: 600W GKV lamp

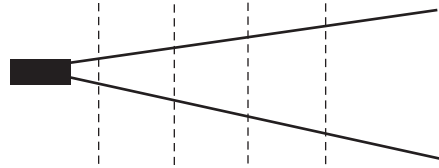
Lekozoom 18/30 @ 18°

Distance (m)	5	10	15	20	25
Beam Ø (m)	1.58	3.17	4.75	6.34	7.92
Illum (lux)	4725	1181	525	295	189



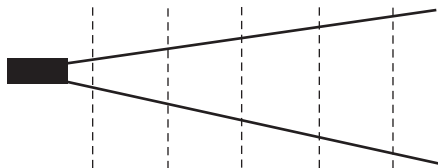
Lekozoom 18/30 @ 30°

Distance (m)	5	10	15	20	25
Beam Ø (m)	2.68	5.36	8.04	10.72	13.40
Illum (lux)	3860	965	429	295	154



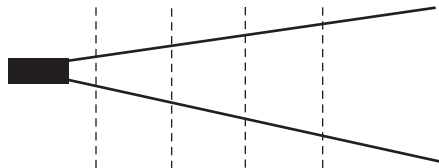
Lekozoom 25/50 @ 25°

Distance (m)	5	10	15	20	25
Beam Ø (m)	2.22	4.43	6.65	8.87	11.08
Illum (lux)	3804	951	428	238	152



Lekozoom 25/50 @ 50°

Distance (m)	5	10	15	20	25
Beam Ø (m)	4.66	9.33	13.99	18.65	23.32
Illum (lux)	2078	520	231	130	83



Performance at any distance:

Narrow (18°) $118100 \div \text{Distance}^2$ Wide (30°) $95100 \div \text{Distance}^2$
 Narrow (25°) $96500 \div \text{Distance}^2$ Wide (50°) $52000 \div \text{Distance}^2$

To calculate beam diameter at any throw distance:

Narrow (18°) $.32 \times \text{Distance}$ Wide (30°) $.54 \times \text{Distance}$
 Narrow (25°) $.44 \times \text{Distance}$ Wide (50°) $.93 \times \text{Distance}$

Ordering information

Lekozoom 18/30 and 25/50 are supplied complete with 3 ft of cable with bare leads.

Cat No Description

11251	Lekozoom 18/30
11241	Lekozoom 25/50, 230V

Optional Accessories

18114	Additional color frame
18115	High hat
18116	Holder for A-size pattern
18117	Drop-in Iris
82003	Safety cable, 18"
HP600	575W, 115V lamp
HX602	575W 115V lamp
GKV600	600W 230V lamp

Operational Features

Focus adjustment

By locking handles on bottom of lens tube and with focus setting indications provided

Lamp Adjustment

Centring of lamp in reflector is a service adjustment by screwdriver used in 'joy stick' arrangement.

Adjustment of field is by fore and aft movement of lampholder assembly in rear housing.

Lamp replacement is by bayonet action removal of lampholder assembly without disturbing lamp setting

Electrical & Mechanical Data

Construction

Die cast aluminum lamphouse and lampholder assembly with extruded and sheet aluminium lens tube finished in black epoxy powder coating

Gate

Sprung assembly houses four removable beam shaping shutters and has runners to take pattern holder or drop in iris diaphragm

Lenses

Heat resistant borosilicate glass lenses mounted in die cast carriers sliding on Teflon® guides

Lampholder

TP22 G9.5 to take lamps of 60.5mm LCL and 1000W max

Supply voltage

100 to 240V \pm 10% 50/60Hz

The Company reserves the right to make any variation in design or construction to the equipment described. © Strand Lighting Ltd 1998. Strand™ and Strand Lighting™ are trade marks of Strand Lighting Limited and Strand Lighting Inc.

Strand Lighting Inc

PO Box 9004 18111 South Santa Fe Avenue Rancho Dominguez CA 90221, USA Tel: +1 310 637 7500 Fax: +1 310 632 5519

Second Floor 151 West 25th Street New York NY 10001, USA Strand Lighting Inc Tel: +1 212 242 1042 Fax: +1 212 242 1837

Eclairages Strand (Canada) Inc 2430 Lucknow Drive No 15 Mississauga Ontario L5S 1V3 Canada Tel: +1 905 677 7130 Fax: +1 905 677 6859