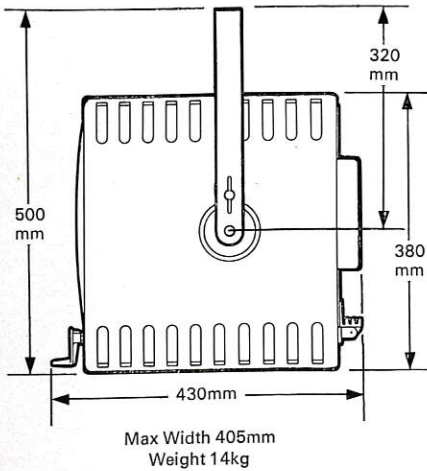


**TUNGSTEN HALOGEN 2000W**



**Beam Spread**

$\frac{1}{10}$  peak angle: 16° spot to 50° flood, soft-edged  
 $\frac{1}{2}$  peak angle: 10° spot to 40° flood, soft-edged

**Lamphouse** pressed steel, with bottom-hinged lens front.

**Fork** mild steel, reversible, with friction disc tilt clamp and  $\frac{1}{2}$ -in. Whit. bolt and wingnut for suspension and swivel clamp.

**Lens** 250mm dia. short focus Fresnel, recessed mounted. Colouvrred for Patt. 243BP/C.

**Lampholder** G.38 bipost, fitted with 1m external length of 3-conductor, sheathed, heat-resisting cable.

**Reflector** 190mm dia. spherical, polished anodised aluminium.

**Adjustment** lead-screw focus from front and rear.

**Colour Frame** double die-cast runners fitted, one 300mm square metal frame for Cinemoid supplied.

**Lamps** 2000W max. G.38 base. 127mm l.c.l.

Class CP/41 recommended for stage use.

**Accessories**

Four-door rotatable barndoor, 23 133 08

Additional metal colour frame, 27 061 0T

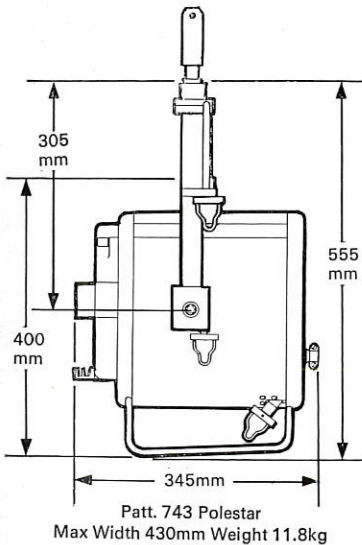
$1\frac{1}{8}$ -in. dia. hollow TV spigot, 26 593 09

Hook clamp for  $1\frac{1}{8}$ -in. dia. TV spigot, 26 594 04

**Patt 243 BP**



**TUNGSTEN HALOGEN 1000W**  
**TUNGSTEN HALOGEN 2000W**



**PATT. 743 POLESTAR 1000W**

Lamphouse, lens, reflector and GX 9.5 lampholder as Patt. 743 but with internal terminal block for external cable. Fitted with lens guard and carrying handle.

**Fork** fitted with  $1\frac{1}{8}$ -in. dia. TV spigot for suspension and geared mechanism for pole operation of tilt and swivel through hook couplings.

**Focus** pre-tilted geared hook coupling for pole operation.

**PATT. 243 POLESTAR 2000W**

Lamphouse, reflector and G.38 lampholder as Patt. 243BP but with internal terminal block for external cable. Fitted with lens guard and carrying handle.

**Lens** 250mm dia. wide angle Fresnel lens providing 18°/55°  $\frac{1}{2}$  peak angle.

**Fork** as for Patt. 743 Polestar, above.

**Focus** as for Patt. 743 Polestar, above.

**Accessories**

2.4m pole, hook coupling, 23 590 03

1.2m extension pole for above, 23 591 09

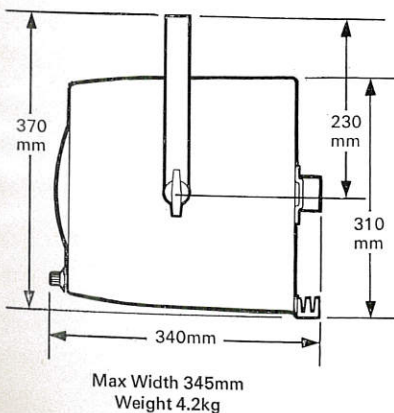
Hook clamp for  $1\frac{1}{8}$ -in. dia. TV spigot, 26 594 04

**POLESTAR**



Patt. 243 Polestar

**TUNGSTEN HALOGEN 1000W**



**Beam Spread**

$\frac{1}{10}$  peak angle: 9° min. to 18° max. soft-edged  
 $\frac{1}{2}$  peak angle: high intensity, near-parallel

**Lamphouse** spun aluminium.

**Fork** mild steel, reversible, with heat-resisting thumbscrew and friction pad for tilt clamp and  $\frac{3}{8}$ -in. Whit. bolt and wingnut for suspension and swivel clamp.

**Reflectors** 250mm dia. parabolic and 80mm dia. spherical frontal reflector and baffle, polished anodised aluminium.

**Lampholder** GX 9.5 fitted with 1m external length of 3-conductor, sheathed, heat-resisting cable.

**Adjustment** lead-screw movement of reflector from rear.

**Colour Frame** double die-cast runners fitted, one 300mm square metal frame for Cinemoid supplied.

**Lamps** 1000W max. GX 9.5 base. 55mm l.c.l.

Class T/9 or CP/48 recommended for stage use.

**Accessories**

Additional metal colour frame, 27 061 0T

**BEAMLIGHT**  
**Patt 750**

