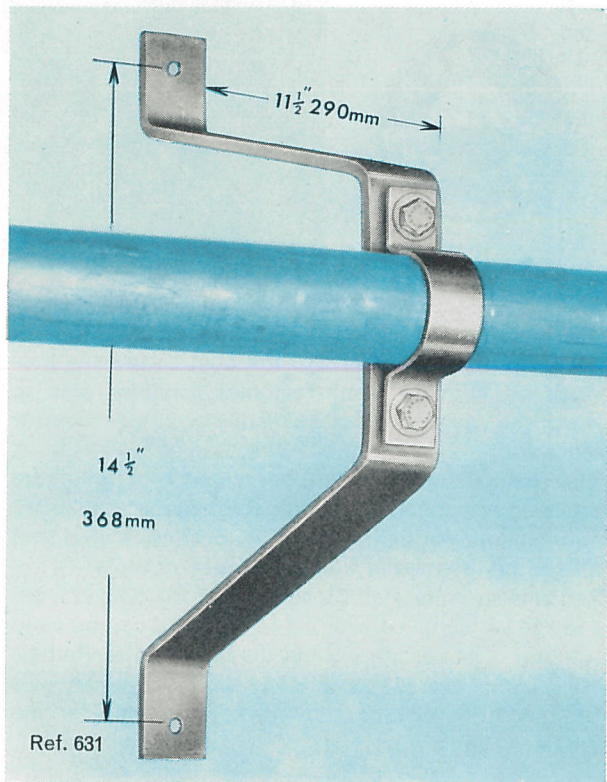


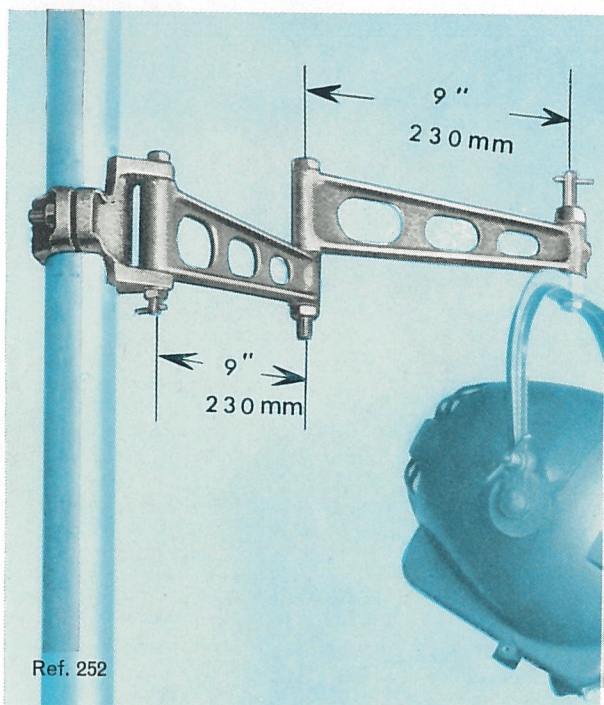
Ref. 654

Ref. 654 Clamp to join $1\frac{1}{8}$ -in. ext. dia. pipes at right angles. Weight $1\frac{1}{2}$ lb. (0.6 kilos).



Ref. 631

Ref. 631 Bracket for rigid fixing of $1\frac{1}{8}$ -in. (50mm) ext. dia. pipe to wall or ceiling. Weight 4 lb. (1.8 kilos).



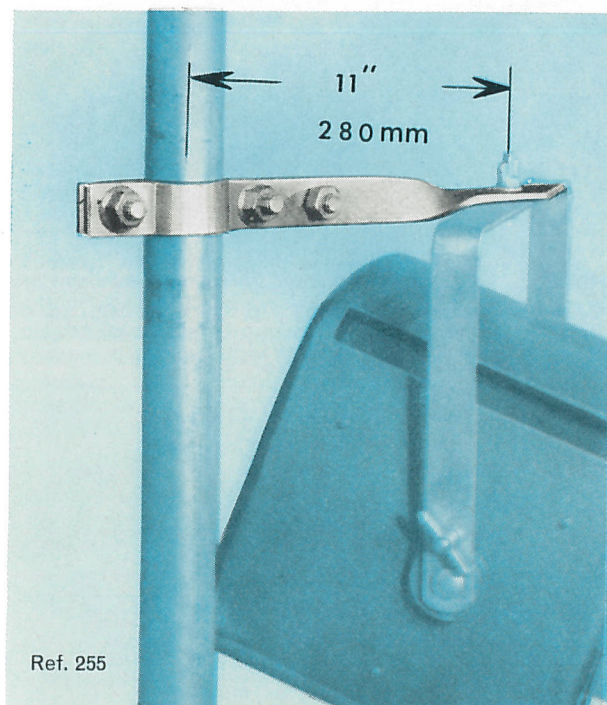
Ref. 252

Ref. 251 Swivel Arm Boom Bracket with $\frac{3}{8}$ -in. threaded stem and locknut, with clamp for vertical $1\frac{1}{8}$ -in. (50mm) ext. dia. pipe. Weight 2 lb. (0.9 kilos).

Ref. 252 Double-Swivel Arm Boom Bracket, otherwise as ref. 251 above. Weight $3\frac{1}{4}$ lb. (1.5 kilos).

Ref. 195 Spare $\frac{3}{8}$ -in. threaded stem for ref. 251, 252.

Ref. 486 Adaptor, 12-in. (300mm) long, for ref. 251, to take two small spotlights side by side. Weight 2 lb. (0.9 kilos).



Ref. 255

Ref. 255 Fixed Boom Bracket for $\frac{1}{2}$ -in. or $\frac{3}{8}$ -in. suspension bolt and wingnut, with clamp for vertical $1\frac{1}{8}$ -in. (50mm) ext. dia. pipe. Weight $2\frac{1}{2}$ lb. (1 kilo).