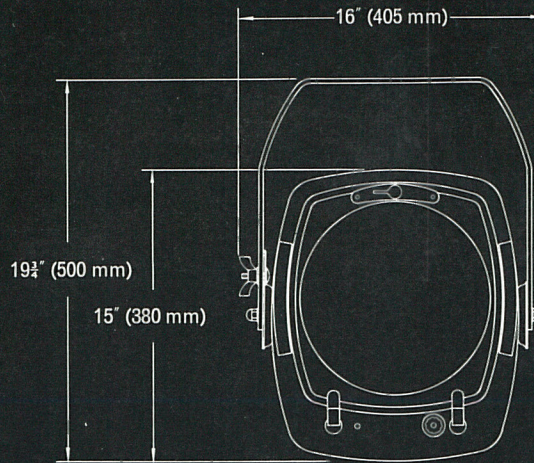


SCALE 1:10



WEIGHT

Patt 243 31 lb. (14 kilos)

LAMPS & PERFORMANCE DATA

THROW DISTANCE **BEAM SPREAD**

ILLUMINATION

	THROW DISTANCE		BEAM SPREAD		ILLUMINATION							
	feet	metres	feet	metres	2000W 120V (Bi38 base) 2M/G48/17 or Philips 13177P		2000W 240V (Bi38 base) Class S/1 or Philips 13177P		1000W 120V (Bi38 base) 1M/G48/11		1000W 240V (P.40 base) Class T2	
					f.c.	lux	f.c.	lux	f.c.	lux	f.c.	lux
Pattern 243, 243BP SPOT FOCUS	30		5		444		302		175		177	
BEAM ANGLE 10° <small>In which intensity varies 2:1</small>		10		1.75		4000		2720		1575		1595
FIELD ANGLE 16° <small>In which intensity varies 10:1</small>		14		3		2040		1390		805		815
	50		9		160		109		63		64	
Pattern 243, 243BP FLOOD FOCUS	20		15		125		100		51		45	
BEAM ANGLE 40° <small>In which intensity varies 2:1</small>		7		5		1020		815		420		370
FIELD ANGLE 50° <small>In which intensity varies 10:1</small>		10		7		500		400		205		180
	40		29		31		25		13		11	

SPECIFICATION

The spotlight shall be constructed of zinc coated steel pressings, with baffled ventilation slots, and shall contain a prefocus lampholder and a spherical reflector both adjustable relative to a Fresnel lens.

The porcelain lampholder for a 1000 or 2000 watt- projection shall be as follows:

Patt 243 Large prefocus (P.40).

Patt 243BP Large bipost (Bi38) with lever lock.

The lampholder shall be mounted on a tray together with a 7½-in. (190mm) diameter spherical reflector of polished anodised aluminium. This tray shall be adjustable through 3¾-in. (85mm) by means of a lead-screw provided with a heat-resisting knob at the front and a crank handle at the rear.

The 10-in. (250mm) short focus Fresnel lens (coloured on Patt. 243/C) shall be recessed within its mount which shall hinge downwards to provide interior access, but which is normally secured by a self-locking catch. Double die-cast aluminium alloy runners shall be provided and one 11¼ × 11¼-in. (300 × 300mm) metal colour frame supplied.

An external length of 30-in. (0.75m) heat-resisting 3-core flexible cable shall be provided and fitted with a strain relief gland.

The exterior shall be smooth finished with epoxy resin hard hammer grey and the interior flat black.

The spotlight shall be mounted in a reversible cadmium plated mild steel fork with friction disc tilt clamp and ½-in. bolt and wing nut for suspension.

VARIATIONS Available at time of manufacture.

6-ft (1.8m) heat-resisting flexible cable.

Internal terminal block for standard flexible cable.

Tilt and swivel scale indication.

'Polestar' model for pole operation of pan, tilt and focus.

ACCESSORIES

Ref. 131. Four-door rotatable barndoor attachment.

Ref. 593. 1½-in. diameter hollow TV spigot.