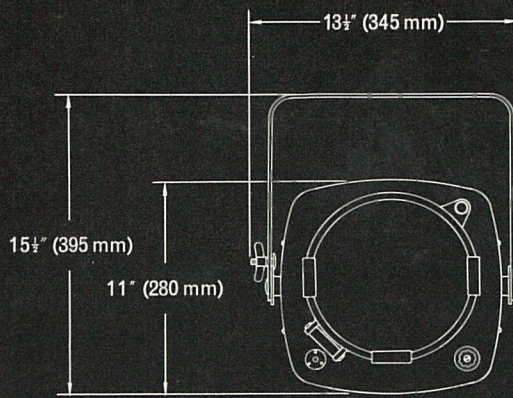


SCALE 1:10



WEIGHT
Patt 223 15 lb (6.8 kilos)

LAMPS & PERFORMANCE DATA

Pattern 223 SPOT FOCUS

BEAM ANGLE 7½° in which intensity varies 2:1

FIELD ANGLE 15° in which intensity varies 10:1

Pattern 223 FLOOD FOCUS

BEAM ANGLE 70° in which intensity varies 2:1

FIELD ANGLE 82° in which intensity varies 10:1

THROW DISTANCE

feet

25

30

35

15

20

25

BEAM SPREAD

feet

3

4

5

21

28

35

ILLUMINATION

1000W 120V
1M/T20P/SP

f.c.

165

115

84

36

20

13

1000W 240V
Class T/6
or Philips 7401C

f.c.

140

97

71

31

17

11

750W 120V
750T20P/SP

f.c.

99

69

51

22

13

8

SPECIFICATION

The spotlight shall be constructed of zinc coated steel pressings, with baffled ventilation slots, and aluminium alloy diecastings and shall contain a prefocus lampholder and a spherical reflector both adjustable relative to a Fresnel lens. The medium prefocus (P.28) porcelain lampholder for a 750 or 1000-watt projection lamp shall be mounted on a diecast tray together with a 6-in. (150mm) diameter spherical reflector of polished anodised aluminium. This tray shall be adjustable through 4¼-in. (110mm) by means of a lead-screw provided with heat resisting knobs at the front and rear. A removable spring clip shall be provided to restrict the tray movement so that spherical bulb lamps can be used.

The 8-in. (200mm) diameter short focus Fresnel lens (coloured on Patt 223/C) shall be recessed within its diecast mount which shall hinge diagonally downwards to provide interior access but which is normally secured by a captive thumb screw. Double diecast colour frame runners shall be provided and one 8½×8½-in. (215×215mm) metal colour frame supplied.

An external length of 30-in. (0.75m) heat resisting 3-core flexible cable shall be provided and fitted with a strain relief gland.

The exterior shall be smooth finished with epoxy resin hard hammer grey but the entire lens mount and interior shall be flat black.

The spotlight shall be mounted in a reversible cadmium plated mild steel fork with friction disc tilt clamp and ⅜-in. bolt and wing nut for suspension.

VARIATIONS Available at time of manufacture

Tilt and swivel scale indication.

'Polestar' model for pole operation of pan, tilt and focus.

ACCESSORIES

Ref. 633. Four-door rotatable barndoor attachment.

Ref. 592. 1½-in. diameter hollow TV spigot.