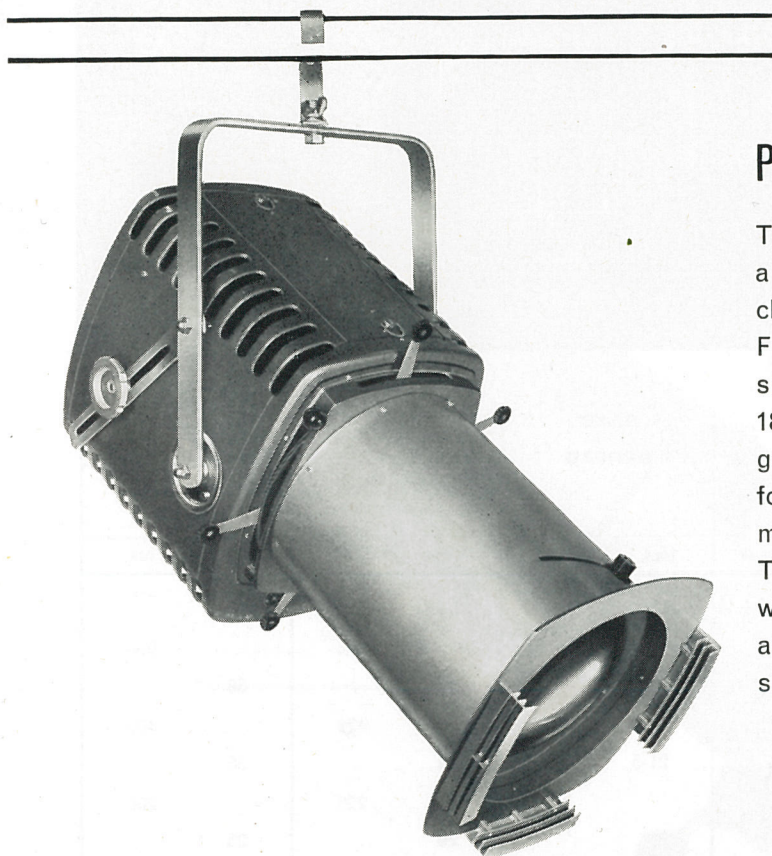




# PROFILE SPOTS

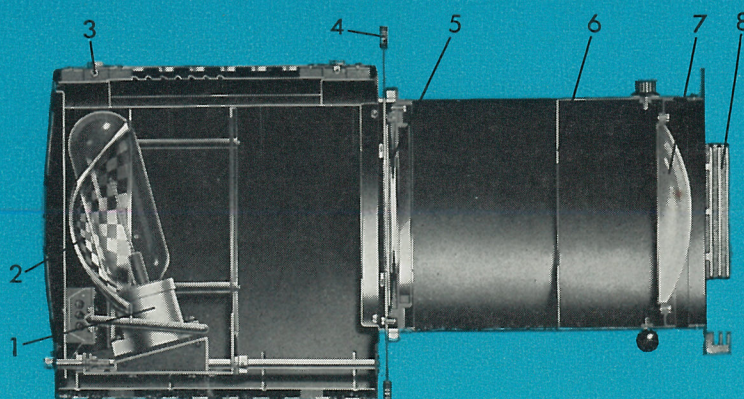


## Patt 253 1500/2000 Watt

This spotlight, with a 24° beam spread, projects a high intensity evenly distributed beam with clear cut edges.

Four built-in but externally operated beam-shaping shutters are provided and also an 18-leaf iris diaphragm for circular beams. The gate assembly also includes horizontal runners for pattern projection by purpose-made metal masks.

This spotlight is recommended for applications where a dominant and decisive beam is required and for precise control of beam shape and spread in large theatres and opera houses.



1. Pretilted large prefocus (P.40) lampholder
2. 9-in. diameter faceted ellipsoidal reflector
3. Removable top for interior access
4. Set of four built-in beam-shaping shutters

5. 18-leaf iris diaphragm
6. Internal lens tube with fixed diaphragm to intercept stray light
7. 8×13-in. plano-convex lens
8. Double colour frame runners