



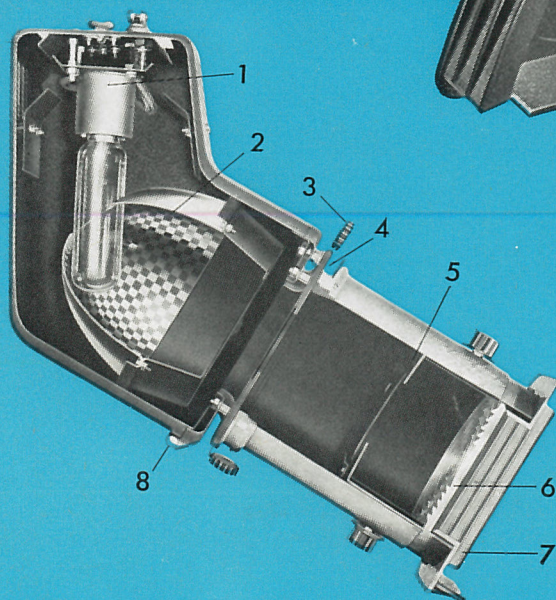
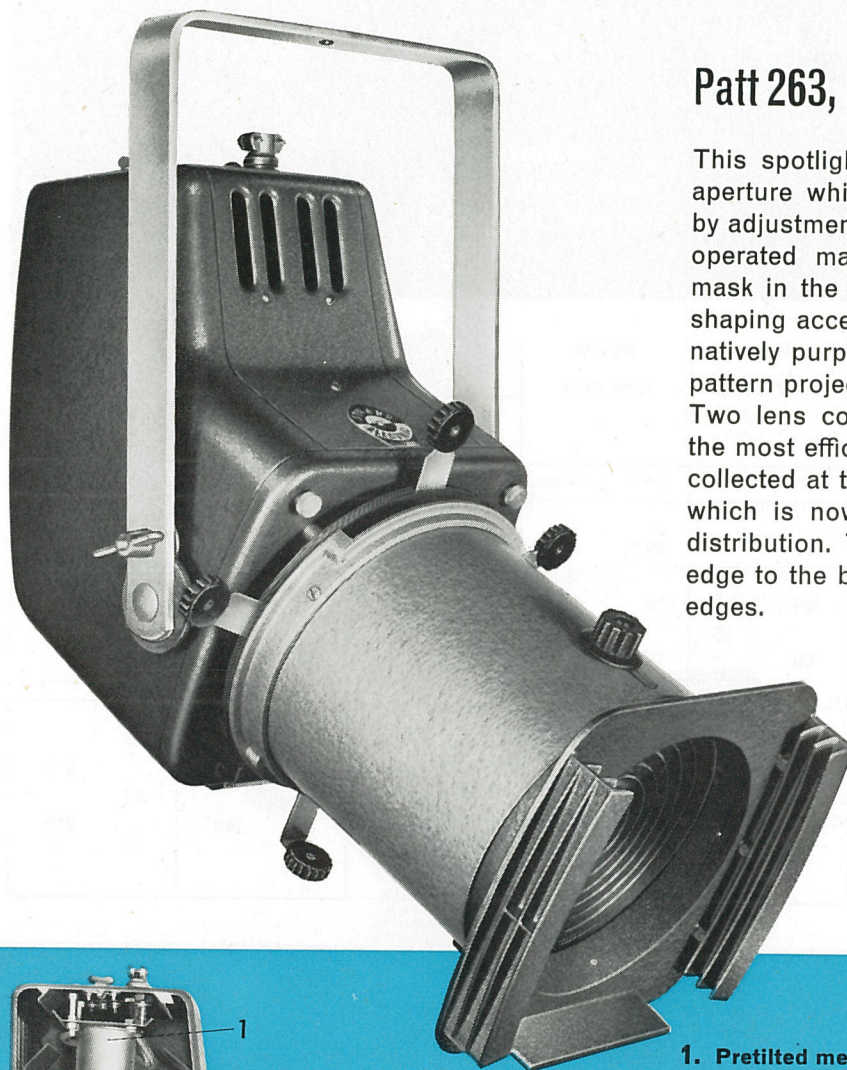
PROFILE SPOTS

Patt 263, Patt 263W, 750/1000 Watt

This spotlight projects an image of the gate aperture which can be shaped to any profile by adjustment of the four built-in but externally operated masking shutters, or by a cut-out mask in the gate runners. An optional beam-shaping accessory is an iris diaphragm. Alternatively purpose-made masks can be used for pattern projection.

Two lens combinations are available so that the most efficient use can be made of the light collected at the gate by an ellipsoidal reflector which is now faceted to provide even beam distribution. The Patt 263 provides a diffused edge to the beam and the Patt 263W clear cut edges.

These spotlights are recommended for applications where the beam must be contained within a specific area. This includes lighting from over the auditorium for both enclosed and open stages.



1. Pretilted medium prefocus lampholder
2. 6½-in. diameter faceted ellipsoidal reflector
3. Set of four built-in beam-shaping shutters
4. Gate runners for optional addition of an iris or purpose-made mask
5. Fixed diaphragm to intercept stray light; also mount for additional 3½×9-in. lens for Patt 263W
6. 6×8-in. colourvred Fresnel lens in sliding, but captive tube. A 6×8-in. plano convex lens is substituted for Patt 263W
7. Double colour frame runners
8. Hinged gate and lens tube assembly for interior access