

STRAND AUDITORIUM COLOUR LIGHTING

MAGAZINE CORNICE LIGHTING

This method is vastly superior to the standard troughing with coloured lamps, where coloured lighting in the theatre or cinema auditorium is used. The resulting colour mixing is far more satisfactory, all colours being much purer and therefore more exciting.

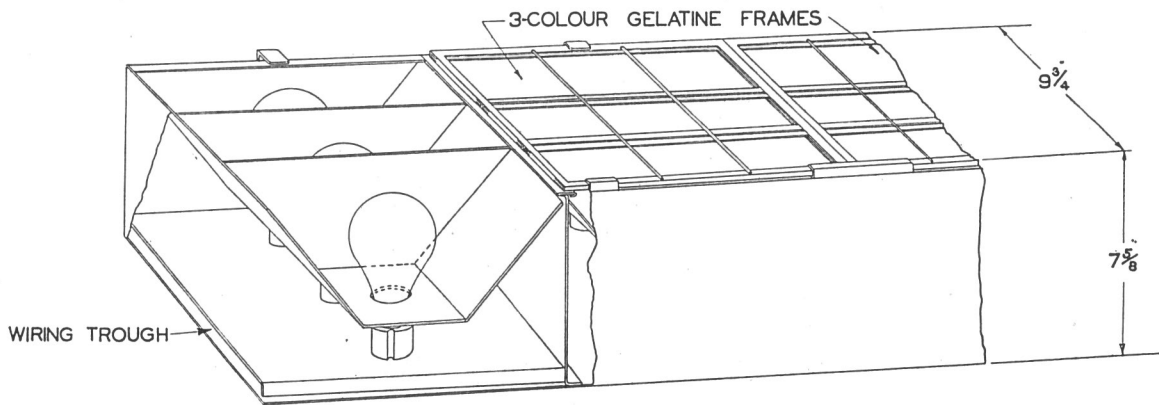
SPECIFICATION

Constructed of lead-coated sheet steel, with three- or four-colour compartments per foot. Colour compartments run parallel to each other and are fitted with white enamel reflector, B.C. or E.S. holder, and easily removable colour frames and gelatine.

PRICE (per foot run, wired 3-colour)	26/-	} <i>Nett weight per 6 ft. section, 6½ lbs.</i>
(per foot run, wired 4-colour)	30/-	

Lamps : 25, 40, or 60 watt General Service.

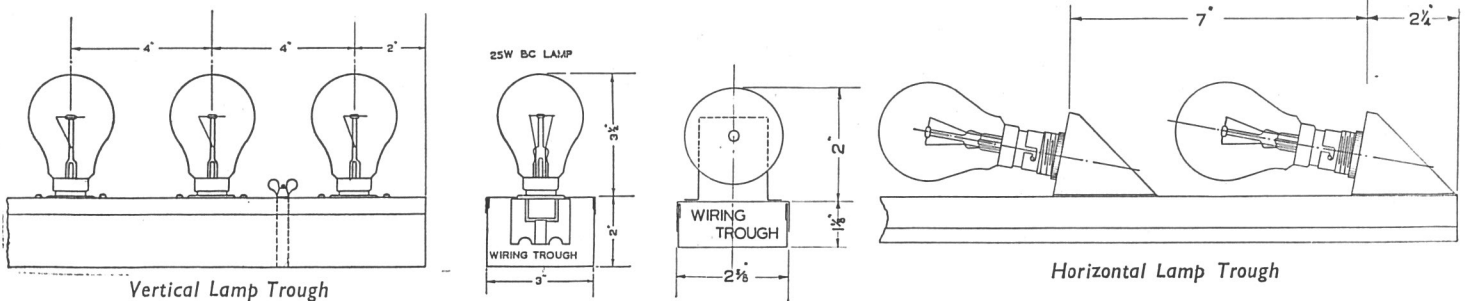
Prices for other types of Magazine Troughing, for special situations, on application.



LAMP TROUGHING

Illustrated below are the two types of standard troughing. These are constructed of lead-coated sheet steel, finished white enamel. Lampholders are fitted at any centres required, and are wired in the circuits to suit customers' requirements.

Prices on application



Telephone : Temple Bar 7464 (6 lines).	STRAND ELECTRIC AND ENGINEERING CO., LTD. FLORAL STREET, COVENT GARDEN, W.C.2	Telegraphic Address : Spotlite, Rand, London.
---	--	--