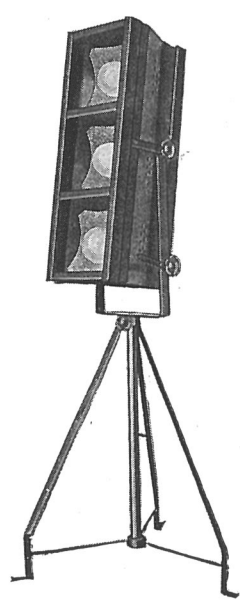


STRAND STAGE FLOODS



Triple 500 Watt

TRIPLE 500 Watt WING FLOOD

This unit comprises three Pattern 30 Floods (see page 20), built as one lantern. It is suitable for three-colour lighting in the wings of cinema stages, etc. The lantern is provided with a tilting fork and quadrant, and is mounted on a tripod stand.

PRICE (exclusive of Lamps) ... ~~£11-10-0~~ ¹²⁻¹⁰⁻⁰

TRIPLE 1000 Watt FLOOD

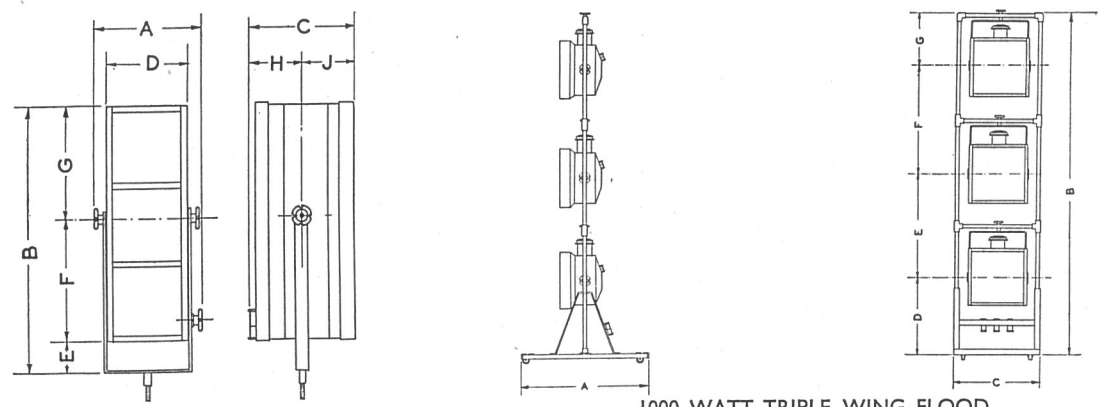
Consisting of three Pattern 49 1000 watt Floods, mounted on a light tubular steel stand, carried on heavy pattern rubber-tyred castors. Each lantern independently adjustable. Specification for lanterns is detailed on page 22. Rockbestos wiring terminating in three 10 amp. 2-pin plugs with earth connection and clip.



Triple 1000 Watt

PRICE (exclusive of Lamps) £18-0-0-~~22-7-0~~
 As above, but for two units £14-10-0-~~18-10-0~~

DIMENSIONS OF TRIPLE FLOODS



500 WATT TRIPLE WING FLOOD

	Ft.	In.		Ft.	In.		Ft.	In.
A ...	1	3	D ...	1	0	G ...	1	5
B ...	3	4	E ...	4		H ...		9
C ...	1	5	F ...	1	7	J ...		8

Nett weight of Lantern, 52 lbs. Stand, 17 lbs.

1000 WATT TRIPLE WING FLOOD

	Ft.	In.		Ft.	In.
A ...	3	1 1/2	E ...	2	3
B ...	7	9 1/2	F ...	2	3
C ...	2	1 1/2	G ...	1	3
D ...	2	0 1/2			

Nett weight of Lantern and Stand, 155 lbs.

STRAND ELECTRIC AND ENGINEERING CO., LTD.

Telephone : Temple Bar 7464 (6 lines). Telegraphic Address : Spotlite, Rand, London.

FLORAL STREET, COVENT GARDEN, W.C.2