

# Product Specification Sheet

## Rama LED Fresnel 7°- 50°



**The Rama LED Fresnel provides an adjustable cone of light , has a soft edge and is easily blended with adjacent beams to provide even illumination.**

The minimal power consumption and full warm white output results in significant reductions in power consumption over traditional 1 / 1.2kW Tungsten Halogen luminaires.

### Features

Homogenized fully mixed white light with no multiple shadows or fringing.

No need for lamp or colour filter replacement.

No need for dimmers, connect directly to mains supply.

DMX 512A(RDM) input/output with 8 or 16 bit resolution

Quiet active cooling system.

Onboard LCD menu for ease of addressing / setup / manual operation.

Integrated safety bond rated for the luminaire

Adjustable yoke balance point.

'Swing-down' door for easy access for cleaning. Disconnects the mains power supply on opening.

Smooth 'posi-slide' focus system, no metal to metal contact.

Constructed from aluminium extrusion and moulded engineering plastics.

Tilt and focus scales are in real degrees allowing for accurate WSIYWYG implementation.

Three year warranty

### Electrical Specification

Voltage: 220-240 VAC

Wattage : 94.5W (total consumption)

Current: 0.5A @230V

### Order Codes

**16RAFR175LED**  
Rama 175 LED Fresnel

**20BDRA**  
Rama Barndoor

### Approvals

Designed to comply fully with CE standards.

C-Tick


## Photometric Data

LED: 80W Philips Luxeon Lumiled

CCT: 3100K

CRI: Minimum 90 , Typical 96

Beam Angle Range: 7°-50°

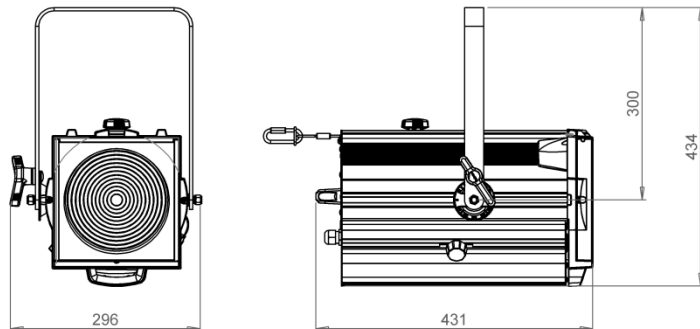
7°-50°	Beam Diameter (metres)							
	7°	0	0.2	0.5	0.7	1	1.2	
	50°	0	1.9	3.7	5.6	7.5	9.3	
								
Throw Distance (metres)	0	2	4	6	8	10		
<th>Central illumination (lux)</th>								Central illumination (lux)
	7°		22956	5739	2551	1435	918	
	50°		1875	469	208	117	75	

## Physical Data

Weight: 8.4kg

Colour frame size: 186mm x 190mm

Included: 1x colour frame, yoke nut & bolt, instruction sheet, 1.0m mains cable



Philips Selecon reserves the right to change the specifications without notice (January 2014).

**PHILIPS**  
**Selecon**